

# Microwave Gain Equalizer

## VEQY-2-63+

50Ω 2dB DC to 6 GHz

### The Big Deal

- Excellent VSWR, 1.1:1 typ.
- Wide bandwidth, DC - 6 GHz
- Connectorized package



Generic photo used for illustration purposes only

CASE STYLE: FF704

**+RoHS Compliant**

The +Suffix identifies RoHS Compliance. See our web site for RoHS Compliance methodologies and qualifications

### Product Overview

Mini-Circuits' VEQY-2-63+ is an absorptive Gain Equalizer fabricated using highly repetitive GaAs IPD\* MMIC process incorporating resistors, capacitors and inductors having negative insertion loss slope. VEQY-2-63+ has a nominal attenuation slope of 2 dB.

### Key Features

Feature	Advantages
Negative Insertion Loss Slope vs. Frequency	Useful for compensating negative gain slope of amplifiers, receivers, transmitters to achieve flat gain versus frequency.
Wideband operation, DC to 6 GHz	Supports a wide array of applications including wireless cellular, microwave communications, satellite, defense and aerospace, medical broadband and optic applications.
Excellent Power Handling Capability 31 dBm	Enables its use at the output of a variety of amplifiers
Connectorized package	The connectorized package is easy to interface with other devices and well suited for test setups.

\*GaAs IPD (Gallium Arsenide Integrated Passive Device)

#### Notes

- A. Performance and quality attributes and conditions not expressly stated in this specification document are intended to be excluded and do not form a part of this specification document.  
B. Electrical specifications and performance data contained in this specification document are based on Mini-Circuit's applicable established test performance criteria and measurement instructions.  
C. The parts covered by this specification document are subject to Mini-Circuits standard limited warranty and terms and conditions (collectively, "Standard Terms"); Purchasers of this part are entitled to the rights and benefits contained therein. For a full statement of the Standard Terms and the exclusive rights and remedies thereunder, please visit Mini-Circuits' website at [www.minicircuits.com/MCLStore/terms.jsp](http://www.minicircuits.com/MCLStore/terms.jsp)



# Gain Equalizer

## VEQY-2-63+

50Ω    2dB    DC to 6 GHz



Generic photo used for illustration purposes only  
CASE STYLE: FF704

Connectors	Model
SMA	VEQY-2-63+

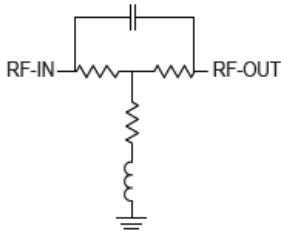
### Features

- 2 dB Slope
- Wide Bandwidth, DC-6 GHz
- Excellent VSWR, 1.1:1 typ.
- Connectorized package

### Applications

- Communications
- Radar
- Defense

### Simplified schematic



### Electrical Specifications at 25°C

Parameter	Condition (GHz)	Min.	Typ.	Max.	Units
Frequency Range		DC	—	6	GHz
Insertion Loss	0.01	2.1	2.5	2.9	dB
	1	—	2.5	—	
	2	—	2.2	—	
	3	1.3	1.7	2.1	
	4	—	1.2	—	
	5	0.4	0.8	1.2	
VSWR	0.01 - 1	—	1.02	—	:1
	1 - 2	—	1.08	—	
	2 - 3	—	1.13	—	
	3 - 4	—	1.13	—	
	4 - 5	—	1.09	—	
	5 - 6	—	1.18	—	

### Absolute Maximum Ratings<sup>1</sup>

Parameter	Ratings
Operating Temperature	-40°C to 85°C
Storage Temperature	-55°C to 100°C
RF Power	31 dBm

<sup>1</sup> Permanent damage may occur if any of these limits are exceeded

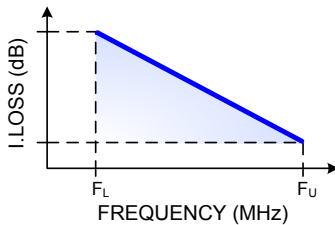
### ESD rating

Human Body Model (HBM): Class 2 (Pass 2000V) in accordance with ANSI/ESD STM 5.1 - 2001 Machine.

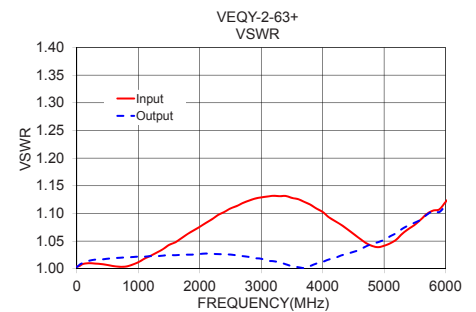
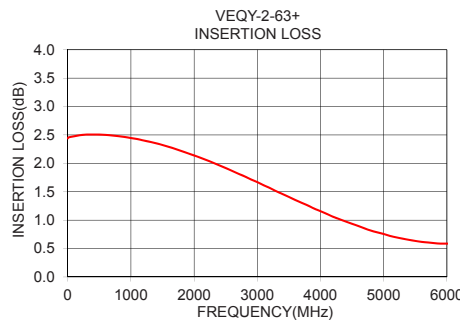
### Typical Performance Data at 25°C

Frequency (MHz)	Insertion Loss (dB)	VSWR (:1)	
		Input	Output
10	2.45	1.00	1.00
50	2.47	1.01	1.01
100	2.48	1.01	1.01
500	2.51	1.01	1.02
1000	2.45	1.01	1.02
1200	2.40	1.02	1.02
1500	2.32	1.04	1.02
1800	2.22	1.06	1.03
2000	2.14	1.08	1.03
2200	2.06	1.09	1.03
2500	1.92	1.11	1.03
3000	1.67	1.13	1.02
3500	1.41	1.13	1.00
4000	1.16	1.10	1.01
4100	1.11	1.09	1.02
5000	0.76	1.04	1.05
5500	0.63	1.08	1.08
6000	0.59	1.12	1.11

### Typical Frequency Response



**+RoHS Compliant**  
The +Suffix identifies RoHS Compliance. See our web site for RoHS Compliance methodologies and qualifications



#### Notes

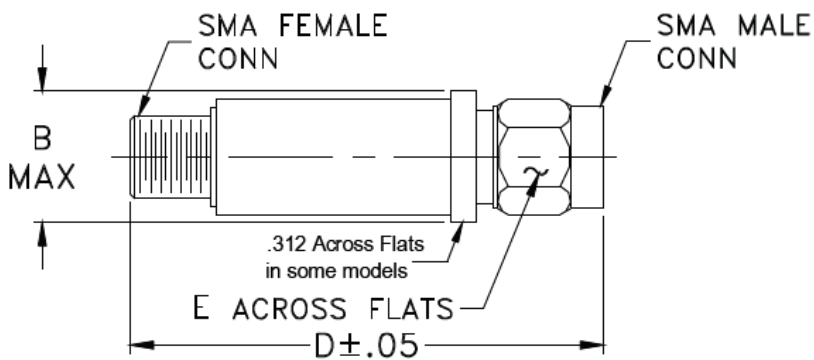
- Performance and quality attributes and conditions not expressly stated in this specification document are intended to be excluded and do not form a part of this specification document.
- Electrical specifications and performance data contained in this specification document are based on Mini-Circuits' applicable established test performance criteria and measurement instructions.
- The parts covered by this specification document are subject to Mini-Circuits standard limited warranty and terms and conditions (collectively, "Standard Terms"); Purchasers of this part are entitled to the rights and benefits contained therein. For a full statement of the Standard Terms and the exclusive rights and remedies thereunder, please visit Mini-Circuits' website at [www.minicircuits.com/MCLStore/terms.jsp](http://www.minicircuits.com/MCLStore/terms.jsp)



## Coaxial Connections

PORT - 1	SMA-Female
PORT - 2	SMA-Male

## Outline Drawing



## Outline Dimensions ( $\frac{\text{inch}}{\text{mm}}$ )

B	D	E	wt.
.410	1.43	.312	grams
10.41	36.32	7.92	10

Note: Please refer to case style drawing for details

### Notes

- A. Performance and quality attributes and conditions not expressly stated in this specification document are intended to be excluded and do not form a part of this specification document.
- B. Electrical specifications and performance data contained in this specification document are based on Mini-Circuit's applicable established test performance criteria and measurement instructions.
- C. The parts covered by this specification document are subject to Mini-Circuits standard limited warranty and terms and conditions (collectively, "Standard Terms"); Purchasers of this part are entitled to the rights and benefits contained therein. For a full statement of the Standard Terms and the exclusive rights and remedies thereunder, please visit Mini-Circuits' website at [www.minicircuits.com/MCLStore/terms.jsp](http://www.minicircuits.com/MCLStore/terms.jsp)

