



LTCC SURFACE MOUNT

# Thru-Line

## TPCW-183+

50Ω DC to 18 GHz

### THE BIG DEAL

- Low Insertion Loss, 0.3dB Typ.
- Return Loss, 10dB Typ.
- 0603 Surface Mount Footprint
- Versatile "Place Holder" for Mini-Circuits LTCC Filters
- Power Handling: 7.5W

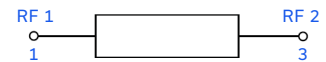


Generic photo used for illustration purposes only

### APPLICATIONS

- Test and Measurement Equipment
- Communication, EW, Radar, and ECM Defense Systems
- 5G MIMO and Back Haul Radio Systems
- Satellite Communications

### FUNCTIONAL DIAGRAM



### PRODUCT OVERVIEW

TPCW-183+ is a miniature low temperature co-fired ceramic (LTCC) 50 Ohm transmission line, with low insertion loss through 18GHz that supports a variety of applications. This model provides 0.3dB typical insertion loss over a wide band due to its rugged monolithic construction. Housed in a tiny 0603 ceramic form factor with inspectable wrap-around terminations, the transmission line is ideal for dense signal chain PCB layouts, where it complements MMIC size and performance. The LTCC fabrication process assures minimal RF performance variation while delivering a product that is well suited for environmental extremes of high humidity and temperature.

### KEY FEATURES

Features	Advantages
Footprint Compatible "Thru-Line"	Enables system designers the flexibility to plan to add LTCC filters to the PCB layout at a later stage in the design process, after system test results are available. Compatible with Mini-Circuits low pass filters (LFCW series), with identical case style and pad connections.
LTCC Construction	The use of LTCC technology allows for repeatable performance in a rugged ceramic package, well suited for tough environments such as high humidity and temperature extremes. See Mini-Circuits Environmental Rating ENV06T11 for more information.
Tiny Size, 0603	0603 package allows for space to be saved in dense circuit board layouts, while also minimizing the effects of parasitics.
Wrap-around Terminations	Provides excellent solderability and easy visual inspection.
Rugged Power Handling, 7.5W	Handles up to 7.5 Watts in a small 0603 package.





### ELECTRICAL SPECIFICATIONS<sup>1,2</sup> AT +25°C

Parameter		F#	Frequency (GHz)	Min.	Typ.	Max.	Units
Pass Band	Insertion Loss	DC-F1	DC - 10	—	0.2	0.7	dB
		F1-F2	10 - 15	—	0.3	0.9	
		F2-F3	15 - 18	—	1.1	—	
	Return Loss	DC-F1	DC - 10	—	16	—	dB
		F1-F2	10 - 15	—	10	—	
		F2-F3	15 - 18	—	9	—	
	Group Delay	DC-F3	DC - 18	—	155	—	psec

1. Tested on Evaluation Board P/N TB-TPCW-183+

2. Bi-directional RF1 and RF2 ports can be interchanged

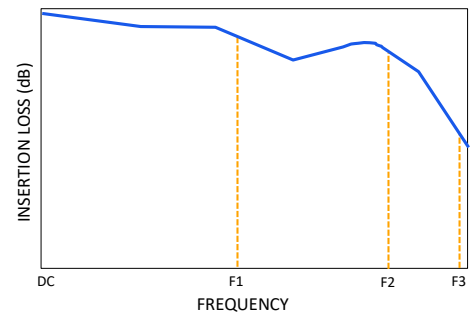
### ABSOLUTE MAXIMUM RATINGS<sup>3</sup>

Parameter	Ratings
Operating Temperature	-55°C to +125°C
Storage Temperature	-55°C to +125°C
Input Power <sup>4</sup>	7.5W @ 25°C

3. Permanent damage may occur if any of these limits are exceeded.

4. Power rating applies only to signals within the passband. Power rating above +25°C operating temperature decreases linearly to 2.6W at +125°C.

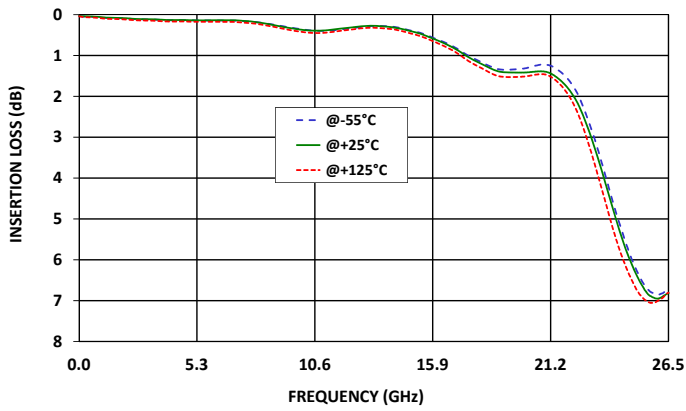
### TYPICAL FREQUENCY RESPONSE AT +25°C



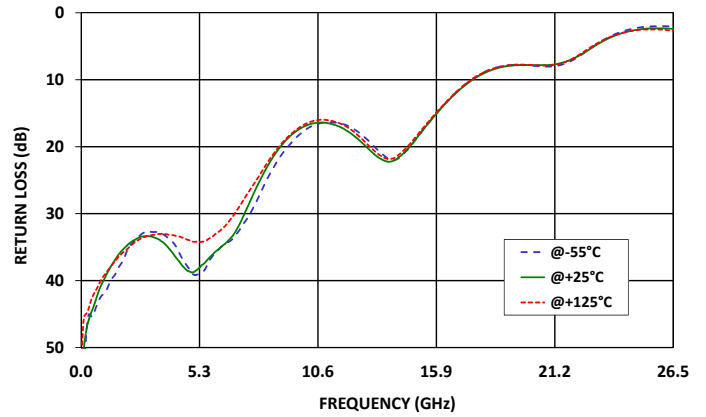


### TYPICAL PERFORMANCE GRAPHS

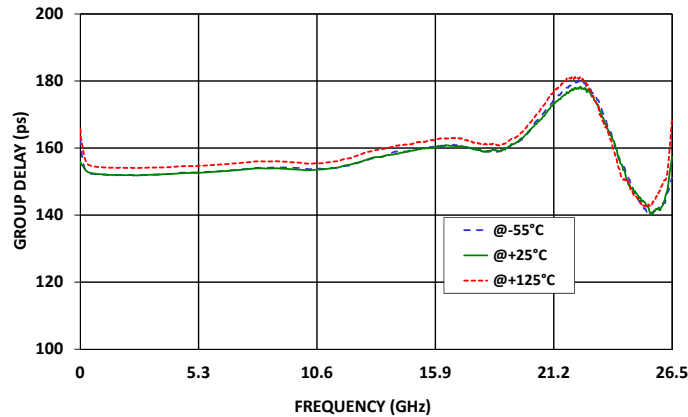
TPCW-183+  
INSERTION LOSS



TPCW-183+  
RETURN LOSS



TPCW-183+  
GROUP DELAY





### FUNCTIONAL DIAGRAM

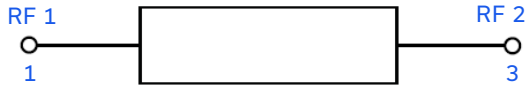
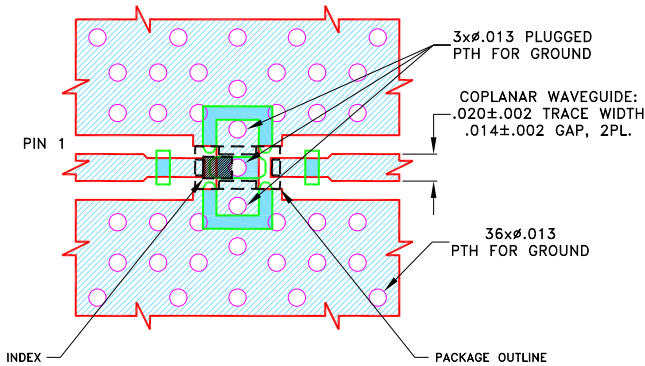


Figure 1. TPCW-183+ Functional Diagram

### PAD DESCRIPTION

Function	Pad Number	Description
RF1 <sup>2</sup>	1	Connects to RF Input Port
RF2 <sup>2</sup>	3	Connects to RF Output Port
GROUND	4,2	Connects to Ground on PCB, (See drawing PL-650)
NC	—	No connection, not used internally. See drawing PL-650 for connection to PCB

### SUGGESTED PCB LAYOUT (PL-650)

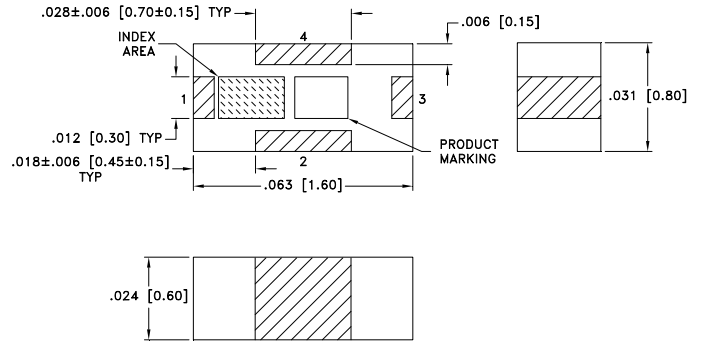


NOTES:

1. COPLANAR WAVEGUIDE PARAMETERS ARE SHOWN FOR ROGERS (RO4835 Lo Pro) WITH DIELECTRIC THICKNESS .0107±.0010. COPPER: 1/2 Oz. EACH SIDE.  
FOR OTHER MATERIALS TRACE WIDTH AND GAP MAY NEED TO BE MODIFIED.
  2. BOTTOM SIDE OF THE PCB IS CONTINUOUS GROUND PLANE.
- DENOTES PCB COPPER LAYOUT WITH SMOBC (SOLDER MASK OVER BARE COPPER)  
■ DENOTES COPPER LAND PATTERN FREE OF SOLDERMASK

Figure 2. Suggested PCB Layout PL-650

### CASE STYLE DRAWING



Weight: .005 grams.  
Dimensions are in inches (mm). Tolerances: 3Pl. ± .004

### PRODUCT MARKING\*: WH

\*Marking may contain other features or characters for internal lot control.



LTCC SURFACE MOUNT

# Thru-Line

## TPCW-183+

Mini-Circuits

50Ω DC to 18 GHz

**ADDITIONAL DETAILED INFORMATION IS AVAILABLE ON OUR DASH BOARD. [CLICK HERE](#)**

Performance Data and Graphs	Data
	Graphs
	S-Parameter (S2P Files) Data Set (.zip file) De-embedded to device pads
Case Style	JC0603C-1    Lead Finish: Nickel-Tin
RoHS Status	Compliant
Tape and Reel	TR-F75
Suggested Layout for PCB Design	PL-650
Evaluation Board	TB-TPCW-183+
	Gerber File
Environmental Rating	ENV06T11

### NOTES

- A. Performance and quality attributes and conditions not expressly stated in this specification document are intended to be excluded and do not form a part of this specification document.
- B. Electrical specifications and performance data contained in this specification document are based on Mini-Circuits' applicable established test performance criteria and measurement instructions.
- C. The parts covered by this specification document are subject to Mini-Circuits' standard limited warranty and terms and conditions (collectively, "Standard Terms"); Purchasers of this part are entitled to the rights and benefits contained therein. For a full statement of the standard terms and the exclusive rights and remedies thereunder, please visit Mini-Circuits' website at [www.minicircuits.com/terms/viewterm.html](http://www.minicircuits.com/terms/viewterm.html)

