

Plug-In RF Transformer

50Ω 0.03 to 75 MHz

T16-6T-X65+ T16-6T-X65



Generic photo used for illustration purposes only
CASE STYLE: X65

+RoHS Compliant

The +Suffix identifies RoHS Compliance. See our web site for RoHS Compliance methodologies and qualifications

Maximum Ratings

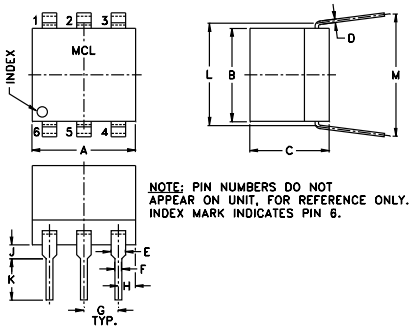
| | |
|-----------------------|----------------|
| Operating Temperature | -20°C to 85°C |
| Storage Temperature | -55°C to 100°C |
| RF Power | 0.25W |
| DC Current | 30mA |

Permanent damage may occur if any of these limits are exceeded.

Pin Connections

| | |
|---------------|---|
| PRIMARY DOT | 4 |
| PRIMARY | 6 |
| SECONDARY DOT | 3 |
| SECONDARY | 1 |
| SECONDARY CT | 2 |
| NOT USED | 5 |

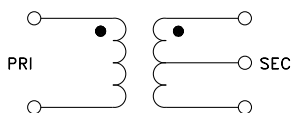
Outline Drawing



Outline Dimensions (inch/mm)

| | | | | | | |
|------|------|------|------|------|-------|------|
| A | B | C | D | E | F | G |
| .30 | .27 | .23 | .010 | .042 | .020 | .100 |
| 7.62 | 6.86 | 5.84 | 0.25 | 1.07 | 0.51 | 2.54 |
| H | J | K | L | M | wt | |
| .05 | .04 | .11 | .300 | .35 | grams | |
| 1.27 | 1.02 | 2.79 | 7.62 | 8.89 | 0.50 | |

Config. A



Notes

- Performance and quality attributes and conditions not expressly stated in this specification document are intended to be excluded and do not form a part of this specification document.
- Electrical specifications and performance data contained in this specification document are based on Mini-Circuit's applicable established test performance criteria and measurement instructions.
- The parts covered by this specification document are subject to Mini-Circuits standard limited warranty and terms and conditions (collectively, "Standard Terms"); Purchasers of this part are entitled to the rights and benefits contained therein. For a full statement of the Standard Terms and the exclusive rights and remedies thereunder, please visit Mini-Circuits' website at www.minicircuits.com/MCLStore/terms.jsp

Features

- good return loss
- also available with flat-pack (W38) & surface mount gull-wing (KK81) leads

Applications

- HF/VHF systems
- impedance matching

Transformer Electrical Specifications

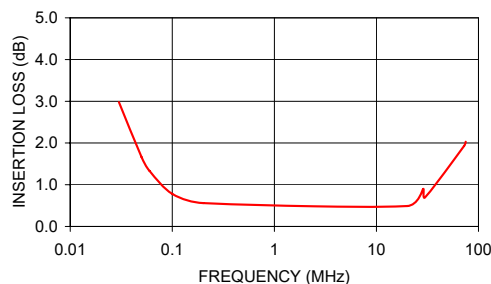
| Ω RATIO | FREQUENCY (MHz) | INSERTION LOSS* | | |
|---------|-----------------|-----------------|----------|----------|
| | | 3 dB MHz | 2 dB MHz | 1 dB MHz |
| 16 | 0.03-75 | 0.03-75 | 0.06-30 | 0.1-20 |

*Insertion Loss is referenced to mid-band loss, 0.5 dB typ.

Typical Performance Data

| FREQUENCY (MHz) | INSERTION LOSS (dB) | INPUT R. LOSS (dB) |
|-----------------|---------------------|--------------------|
| 0.03 | 2.98 | 1.55 |
| 0.05 | 1.66 | 3.37 |
| 0.06 | 1.33 | 4.30 |
| 0.10 | 0.78 | 7.70 |
| 0.20 | 0.56 | 12.89 |
| 20.00 | 0.49 | 1.81 |
| 28.74 | 0.90 | 6.92 |
| 30.00 | 0.70 | 8.64 |
| 72.34 | 1.93 | 3.49 |
| 75.00 | 2.03 | 3.32 |

T16-6T-X65
INSERTION LOSS



T16-6T-X65
INPUT RETURN LOSS

