

Coaxial

Adapter SMA-F to SMA-FRP

SF-SFRP50+

50Ω

DC to 12 GHz



Generic photo used for illustration purposes only

CASE STYLE: DJ2747

The Big Deal

- Wideband, DC-12 GHz
- Flat response
- Low insertion loss, 0.3 dB typ.
- Excellent VSWR, 1.2:1 typ.

Product Overview

Mini-Circuits' SF-SFRP50+ is a 50Ω coaxial SMA-Female to SMA-Female Reverse Polarity adapter supporting a wide range of applications from DC to 12 GHz. This model provides excellent VSWR, low insertion loss, and flat response across frequency. The SF-SFRP50+ features rugged, passivated stainless steel construction and measures only 0.87" (l) x 0.36" (dia.).

Key Features

Feature	Advantages
Wideband, DC to 12 GHz	Wide frequency range provides application flexibility and makes this model ideal for broadband and multi-band use
Excellent VSWR, 1.2:1 typ.	Provides good matching for 50Ω systems and minimizes signal reflections across wide frequency range.
Low insertion loss, 0.3 dB typ.	Provides excellent signal power transmission from input to output.
Rugged, passivated stainless steel construction.	Stands up to wear and tear in demanding environments and provides excellent reliability.
Very wide operating temperature range, -55 to +100°C	Withstands extreme operating conditions and is suitable for use near high power componentry where heat rise is common.

Notes

- A. Performance and quality attributes and conditions not expressly stated in this specification document are intended to be excluded and do not form a part of this specification document.
B. Electrical specifications and performance data contained in this specification document are based on Mini-Circuit's applicable established test performance criteria and measurement instructions.
C. The parts covered by this specification document are subject to Mini-Circuits standard limited warranty and terms and conditions (collectively, "Standard Terms"); Purchasers of this part are entitled to the rights and benefits contained therein. For a full statement of the Standard Terms and the exclusive rights and remedies thereunder, please visit Mini-Circuits' website at www.minicircuits.com/MCLStore/terms.jsp



Coaxial Adapter SMA-F to SMA-FRP

SF-SFRP50+

50Ω DC to 12 GHz

Maximum Ratings

Operating Temperature	-55°C to 100°C
Storage Temperature	-55°C to 100°C

Permanent damage may occur if any of these limits are exceeded.

Features

- Flat response
- Excellent VSWR, 1.2:1 typ.
- Rugged stainless steel body

Applications

- Cable extender



Generic photo used for illustration purposes only

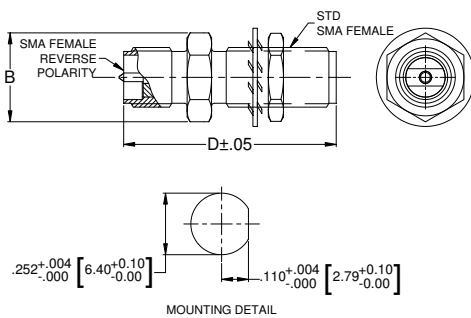
CASE STYLE: DJ2747

Connectors		Model
Conn1	Conn2	
SMA-F	SMA-FRP	SF-SFRP50+

+RoHS Compliant

The +Suffix identifies RoHS Compliance. See our web site for RoHS Compliance methodologies and qualifications

Outline Drawing



Outline Dimensions (inch/mm)

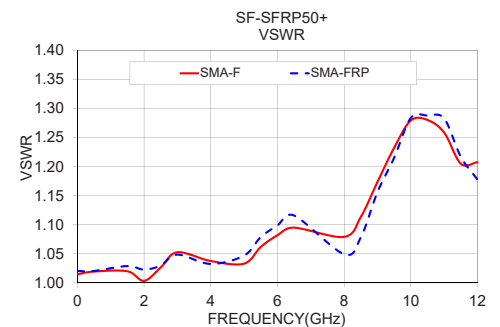
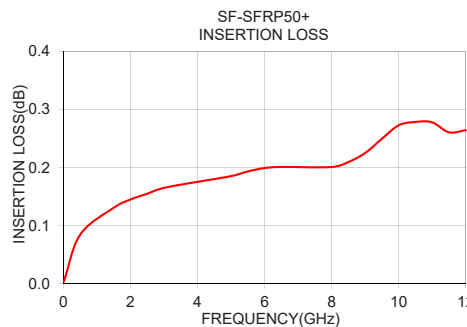
A	B	C	D	E	Wt.
--	.36	--	.87	--	grams
--	9.14	--	22.10	--	3.6

Electrical Specifications at 25°C

Parameter	Condition (GHz)	Min.	Typ.	Max.	Units
Frequency Range	DC-12	-	-	-	GHz
Insertion Loss	DC-12	-	0.3	-	dB
VSWR	DC-5	-	1.05	1.2	:1
	5-12	-	1.25	-	

Typical Performance Data at 25°C

Frequency (GHz)	Insertion Loss (dB)	VSWR (:1)	
		SMA-F	SMA-FRP
0.01	0.00	1.02	1.02
0.50	0.08	1.02	1.02
1.50	0.13	1.02	1.03
2.00	0.14	1.00	1.02
2.50	0.15	1.03	1.03
3.00	0.16	1.05	1.05
4.00	0.18	1.04	1.03
5.00	0.19	1.03	1.05
5.50	0.19	1.06	1.08
6.00	0.20	1.08	1.10
6.50	0.20	1.10	1.12
8.00	0.20	1.08	1.05
8.50	0.21	1.11	1.08
9.00	0.22	1.17	1.16
9.50	0.25	1.23	1.22
10.00	0.27	1.28	1.28
10.50	0.28	1.28	1.29
11.00	0.28	1.26	1.28
11.50	0.26	1.20	1.22
12.00	0.26	1.21	1.18



Notes

- Performance and quality attributes and conditions not expressly stated in this specification document are intended to be excluded and do not form a part of this specification document.
- Electrical specifications and performance data contained in this specification document are based on Mini-Circuit's applicable established test performance criteria and measurement instructions.
- The parts covered by this specification document are subject to Mini-Circuit's standard limited warranty and terms and conditions (collectively, "Standard Terms"); Purchasers of this part are entitled to the rights and benefits contained therein. For a full statement of the Standard Terms and the exclusive rights and remedies thereunder, please visit Mini-Circuit's website at www.minicircuits.com/MCLStore/terms.jsp

