

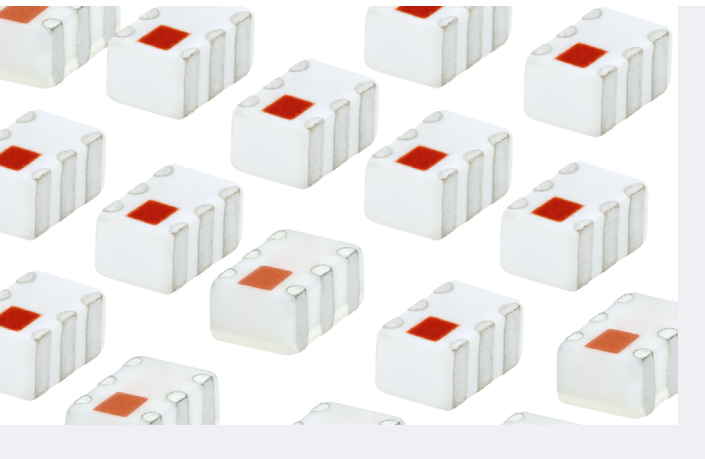


DESIGNER'S KIT K1-NCS+

# Baluns/Transformers



50Ω 0.223 to 8 GHz



## FEATURES

- Choice of impedance ratios, 1:1, 1:1.5, 1:2, 1:3, 1:4
- Perfectly suited for WiFi, Bluetooth, Zigbee Applications
- Small sizes down to 0805
- Rugged LTCC construction
- Excellent Power Handling, up to 3 Watts
- Low cost

MINI-CIRCUITS DESIGNER'S KITS  
**SPEED UP**  
THE SOLUTION

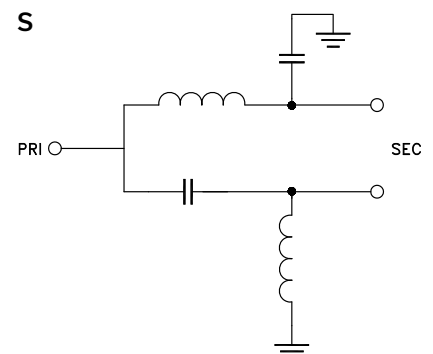
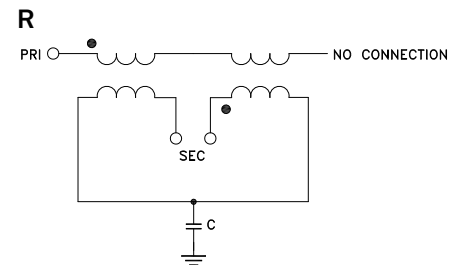
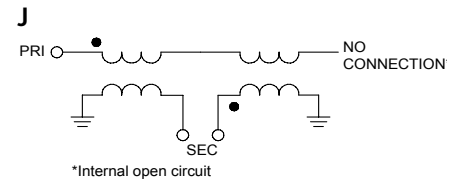


## K1-NCS+ ELECTRICAL SPECIFICATIONS

(25 models, 5 of each, 125 Total)

Model	Frequency (MHz)	Impedance (Ω)	Impedance Ratio	Case Style	Configuration
NCS1-23+	1300-2000	50	1	GE0805C-1	R
NCS1-292+	1650-2850	50	1	GE0805C-1	J
NCS1-332+	700-3300	50	1	GE0805C-9	R
NCS1-422+	3300-4000	50	1	GE0805C-1	R
NCS1-521+	223-520	50	1	GE0805C-9	S
NCS1-63+	4900-6000	50	1	GE0805C-1	R
NCS1.5-232+	400-2300	50	1.5	GE0805C-9	J
NCS2-222+	1275-2200	50	2	GE0805C-1	J
NCS2-232+	900-2300	50	2	GE0805C-1	R
NCS2-282+	625-2815	50	2	GE0805C-9	R
NCS2-33+	1500-3100	50	2	GE0805C-1	J
NCS2-392+	3000-3900	50	2	GE0805C-1	R
NCS2-592+	4900-5875	50	2	GE0805C-1	R
NCS2-62+	390-590	50	2	GE0805C-9	J
NCS2-622+	5600-6200	50	2	GE0805C-1	R
NCS2-771+	240-770	50	2	GE0805C-9	J
NCS2-83+	3000-8000	50	2	GE0805C-1	R
NCS3-272+	2250-2725	50	3	GE0805C-9	J
NCS3-72+	250-760	50	3	GE0805C-9	J
NCS4-102+	700-1000	50	4	GE0805C-1	J
NCS4-232+	1600-2300	50	4	GE0805C-1	J
NCS4-272+	2300-2700	50	4	GE0805C-1	J
NCS4-442+	3300-4200	50	4	GE0805C-1	R
NCS4-521+	223-520	50	4	GE0805C-9	R
NCS4-63+	4500-6000	50	4	GE0805C-1	J

## CONFIGURATIONS



REV. A  
ECO-009388  
K1-NCS+  
MCL NY  
210823

