



MMIC WIDEBAND

# Gain Equalizer Die

## EQY-15-24-D+

Mini-Circuits

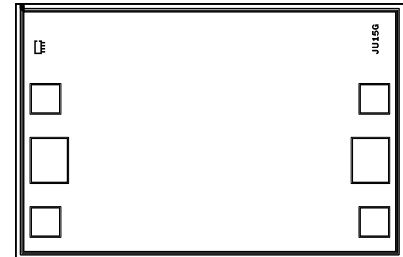
50Ω 6 to 20 GHz

### THE BIG DEAL

- 15.7dB Slope
- Wide Bandwidth, 6-20GHz
- Excellent Return Loss, 20dB Typ.

### APPLICATIONS

- Fixed Satellite
- Mobile
- Military Systems
- ELINT
- EW
- ECM



#### +RoHS Compliant

The +Suffix identifies RoHS Compliance. See our web site for RoHS Compliance methodologies and qualifications

SEE ORDERING INFORMATION ON THE LAST PAGE

### PRODUCT OVERVIEW

EQY-15-24-D+ is a MMIC gain equalizer die fabricated using highly repeatable GaAs IPD MMIC process incorporating resistors, capacitors and inductors to accomplish a positive attenuation slope vs. Frequency. EQY-15-24-D+ has a nominal attenuation slope of 15.7dB and can be applied to compensate for the negative gain slope of amplifiers to achieve relative gain flatness for the overall system.

### KEY FEATURES

Feature	Advantages
Positive Attenuation Slope vs. Frequency	Useful in compensating for negative slope of an amplifier to achieve good gain flatness for the overall system.
Wideband Operation, 6 to 20 GHz	Supports a wide variety of applications including wireless cellular, microwave communications, satellite, defense and aerospace, medical and optic applications.
Excellent Power Handling Capability	Enables the product to be used at the output of an amplifier.
Unpackaged die	Enables user to integrate it directly into hybrids.



### ELECTRICAL SPECIFICATIONS<sup>1</sup> AT 25°C, 50Ω, UNLESS OTHERWISE NOTED.

Parameter	Condition (GHz)	Min.	Typ.	Max.	Units
Frequency Range		6		20	GHz
Insertion Loss	6		17.0		dB
	10		10.9		
	14		5.6		
	18		2.2		
	20		1.3		
VSWR	6 - 10		1.22		:1
	10 - 14		1.19		
	14 - 18		1.25		
	18 - 20		1.22		

1. Measured on Mini-Circuits Characterization Test Board. Die was packaged in a 2.5 x 2.5mm 8L MCLP and soldered on test board TB-EQY-15-24+ See Characterization Test Circuits (Figure 1).

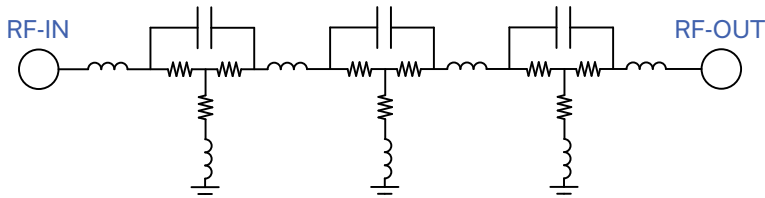
### MAXIMUM RATINGS<sup>2</sup>

Parameter	Ratings
Operating Temperature	-40° C to 85° C
Input RF Power	31dBm

2. Permanent damage may occur if any of these limits are exceeded.



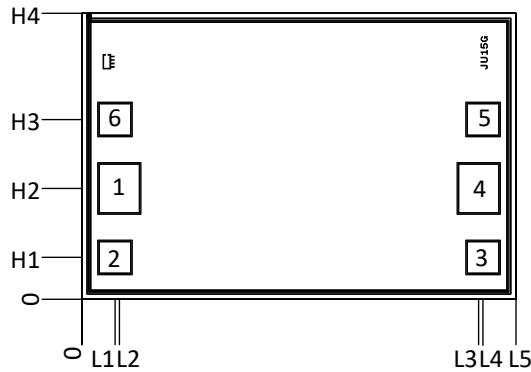
### SIMPLIFIED SCHEMATIC



### PAD DESCRIPTION

Pad Number	Description
1	RF IN
4	RF OUT
2,3,5,6	GROUND

### BONDING PAD POSITION



### DIE DIMENSIONS IN $\mu\text{m}$

L1	L2	L3	L4	L5	H1	H2	H3	H4
97.0	109.0	1152.0	1165.0	1260.0	122.0	322.0	522.0	830.0

Thickness	Die Size	Pad Size 1&4	Pad Size 2,3,5,6
100	1260 x 830	117 x 142	92 x 92



## CHARACTERIZATION TEST CIRCUIT

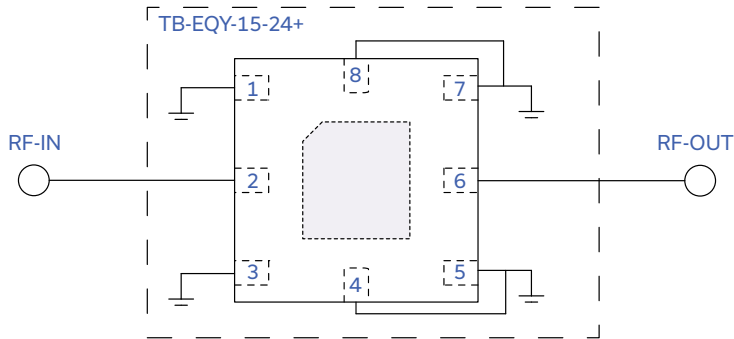
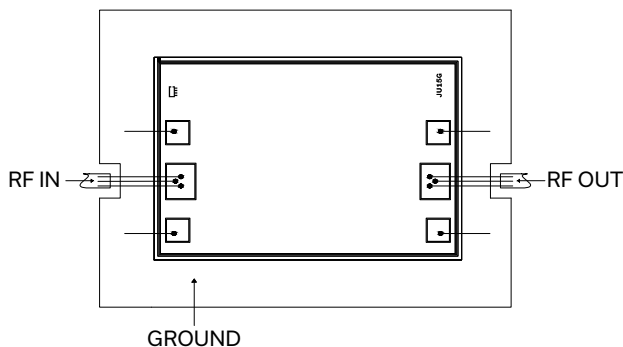


Fig 1. Block Diagram of test circuit used for characterization. Die is packaged in 2.5 x 2.5mm 8L MCLP and soldered on test board TB-EQY-15-24+

Conditions: Attenuation & Return Loss, Pin = 0dBm.

## ASSEMBLY DIAGRAM



## ASSEMBLY PROCEDURE

- 1. Storage**  
Dice should be stored in a dry nitrogen purged desiccators or equivalent.
- 2. ESD**  
MMIC GaAs Gain equalizer dice are susceptible to electrostatic and mechanical damage. Die are supplied in antistatic protected material, which should be open in clean room conditions at an appropriately grounded anti-static workstation.
- 3. Die Handling and Attachment**  
Devices need careful handling using correctly designed collets, it is recommended to handle the chip along the edges with a custom design collet. The die mounting surface must be clean and flat. Using conductive silver filled epoxy, recommended epoxies are Ablestik 84-1 LMISR4 or equivalents. Apply sufficient epoxy to meet required epoxy bond line thickness, epoxy fillet height and epoxy coverage around total periphery. Parts shall be cured in a nitrogen filled atmosphere per manufacturer's cure condition. It is recommended to use anti-static die pick up tools only.
- 4. Wire Bonding**  
Bond pad openings in the surface passivation above the bond pads are provided to allow wire bonding to the dice gold bond pads. Thermo-sonic bonding is used with minimized ultrasonic content. Bond force, time, ultrasonic power and temperature are all critical parameters. Suggested wire is pure gold, 1mil diameter. Bonds must be made from the bond pads on the die to the packaged or substrate. All bond wires should be kept as short as low as reasonable to minimize performance degradation due to undesirable series inductance.



# MICROWAVE Gain Equalizer

## EQY-15-24-D+

**ADDITIONAL DETAILED TECHNICAL INFORMATION IS AVAILABLE ON OUR DASH BOARD.**

Performance Data	Data Table	
	Swept Graphs	
	S-Parameter (S2P Files) Data Set with and without port extension(.zip file)	
Case Style	Die	
Die Ordering and packaging information	Quantity, Package Small, Gel - Pak: 5,10,50,100 KGD* Medium†, Partial wafer: KGD*<1620 Full wafer	Model No. EQY-15-24-DG+ EQY-15-24-DP+ EQY-15-24-DF+
	†Available upon request contact sales representative	
Die Marking	JU15G	
Environmental Ratings	ENV80	

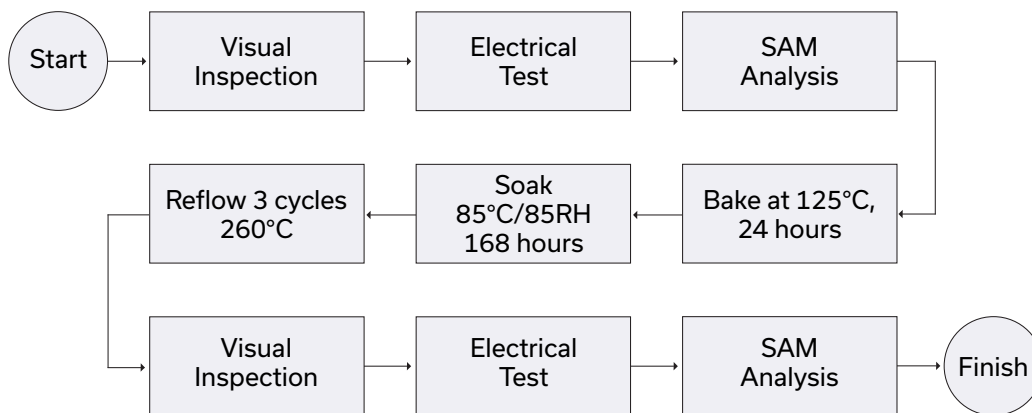
\*Known Good Dice ("KGD") means that the dice are taken from PCM good wafers that have been RF-tested. It provides enough confidence that the dice are capable of meeting typical RF electrical parameters specified by Mini-Circuits.

### ESD RATING\*\*

Human Body Model (HBM): Class 1C (Pass 1000V) in accordance with ANSI/ESD STM 5.1-2001 Machine

\*\*ESD is measured in a 2.5 x 2.5mm 8L MCLP.

### MSL TEST FLOW CHART



### NOTES

- Performance and quality attributes and conditions not expressly stated in this specification document are intended to be excluded and do not form a part of this specification document.
- Electrical specifications and performance data contained in this specification document are based on Mini-Circuit's applicable established test performance criteria and measurement instructions.
- The parts covered by this specification document are subject to Mini-Circuits standard limited warranty and terms and conditions (collectively, "Standard Terms"); Purchasers of this part are entitled to the rights and benefits contained there in. For a full statement of the standard. Terms and the exclusive rights and remedies thereunder, please visit Mini-Circuits' website at [www.minicircuits.com/MCLStore/terms.jsp](http://www.minicircuits.com/MCLStore/terms.jsp)
- Mini-Circuits does not warrant the accuracy or completeness of the information, text, graphics and other items contained within this document and same are provided as an accommodation and on an As is basis, with all faults.
- Purchasers of this part are solely responsible for proper storing, handling, assembly and processing of Known Good Dice (including, without limitation, proper ESD preventative measures, die preparation, die attach, wire bonding and related assembly and test activities), and Mini-Circuits assumes no responsibility therefor or for environmental effects on Known Good Dice.
- Mini-Circuits and the Mini-Circuits logo are registered trademarks of Scientific Components Corporation d/b/a Mini-Circuits. All other third-party trademarks are the property of their respective owners. A reference to any third-party trademark does not constitute or imply any endorsement, affiliation, sponsorship, or recommendation by any such third-party of Mini-Circuits or its products.

