

PRODUCT CHANGE NOTICE

PCN Form (D4-E000-73)

PCN#20-047

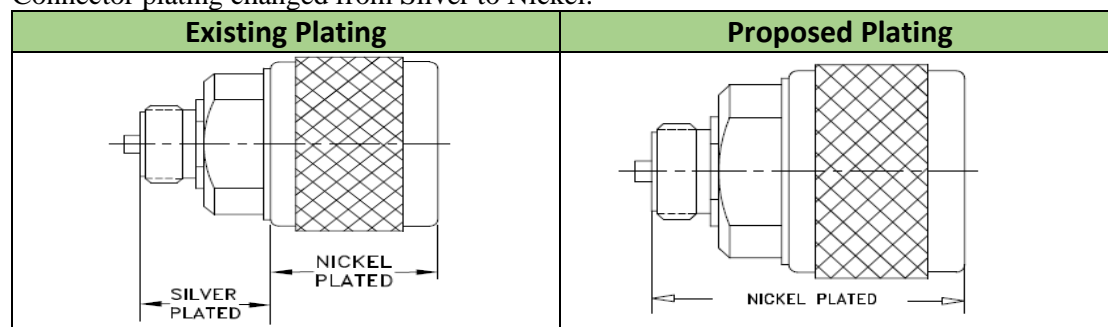
NOTIFICATION DATE: October 14, 2020

MODEL(S) AFFECTED:

FT1.5-12-2+	ZABT-2R15G-13+	ZBSF-95-N+	ZFDC-20-3-36+	ZNBT-23-1W-1+
K-NAT-3DC-2	ZAPD-2-252-5+	ZEQ-3-222N+	ZFDC-6-35HP-1+	ZNBT-2GFT-1+
NBLK-4-1	ZAPD-2-810-1	ZEQ-3-2450-1+	ZFL-450-2	ZNBT-60-1W+
NMP-5075-1-4+	ZAPD-2-810-2	ZEQ-8-222N+	ZFLM-63-2W-1+	ZNBT-60-1W-12+
NMP-5075-1-5+	ZAPD-2DC-18+	ZFBDC10-52HP-1+	ZFLM-63-2W-2+	ZNBT-60-1W-13+
NMP-5075-1-8+	ZAPD-4-20+	ZFBDC20-62HP-2+	ZFM-82H-1+	ZNBT-60-1W-14+
Z7550-BFNM-1+	ZARC-25-551-1+	ZFBT-1R6G-2	ZFSC-2-35-1+	ZNBT-60-1W-15+
Z7550-FFNM+	ZB4PD1-500-9+	ZFBT-2R5G-2	ZFY-2-2	ZNBT-60-1W-18+
Z7550-NMNF+	ZB6PD1-900-8	ZFBT-2R5G-4	ZLP-9000-1+	ZNBT-60-1W-4+
ZA4PD-4-3	ZBSF-95-1+	ZFBT-2R5G-6	ZNBT-20HP-1	ZNBT-60-1WT-1+

EXTENT OF CHANGE:

Connector plating changed from Silver to Nickel.



EFFECT OF CHANGE:

No change to **FIT** (dimension) & **FUNCTION** (performance).
 Change to **FORM** (plating change)

REASON FOR CHANGE:

Uniformity of plating with knurled ring.

EFFECTIVE DATE OF CHANGE:

Immediate

ATTACHMENTS:

N/A

QUESTIONS?

[PLEASE CONTACT US.](#)

AS9100 ISO9001 ISO14001 Certified to QMS and EMS