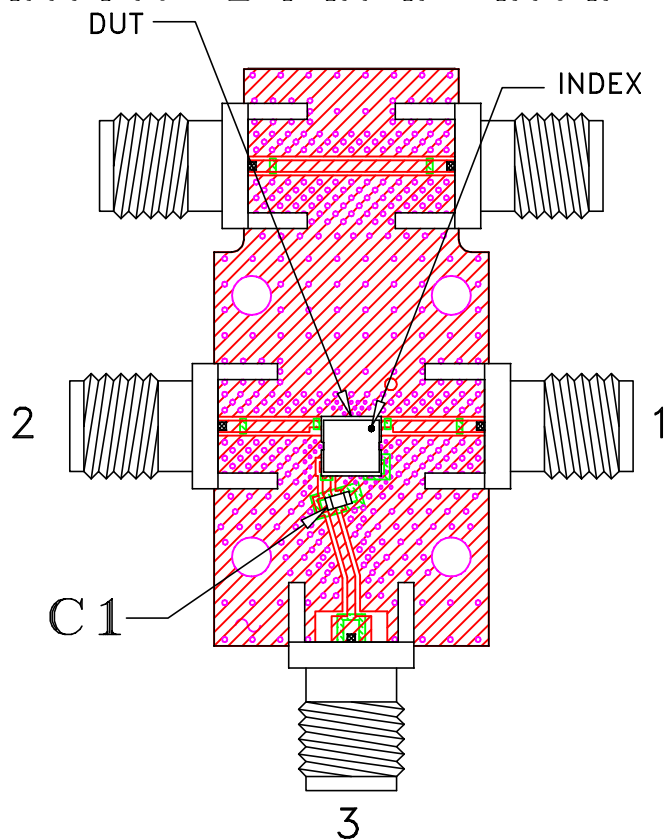
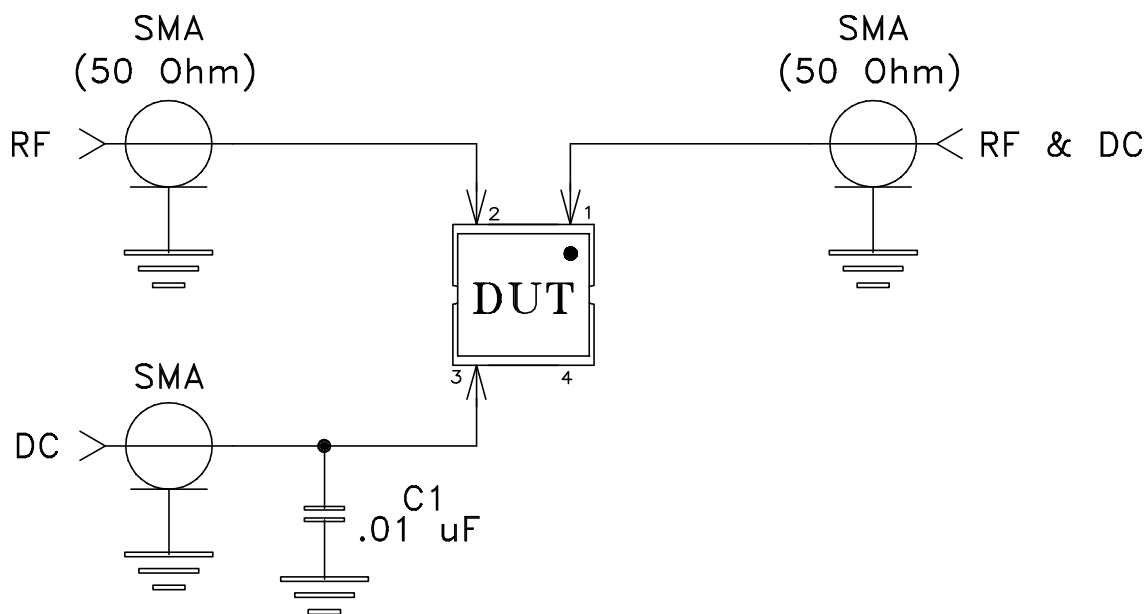


Evaluation Board and Circuit



TB-TCBT-203+



Schematic Diagram

Notes:

1. 50 Ohm SMA Female connectors.
2. PCB Material: R04350B or equivalent,
Dielectric Constant=3.5, Thickness=.020 inch.

