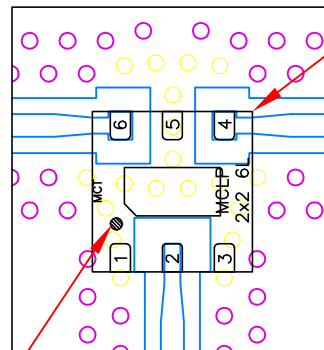
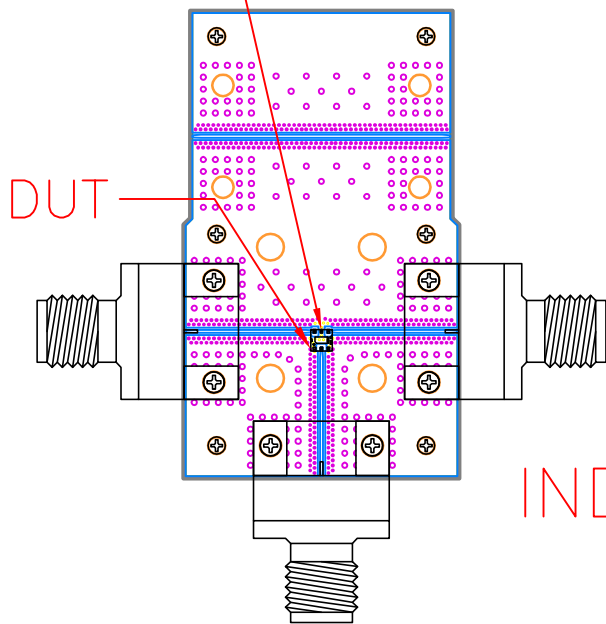


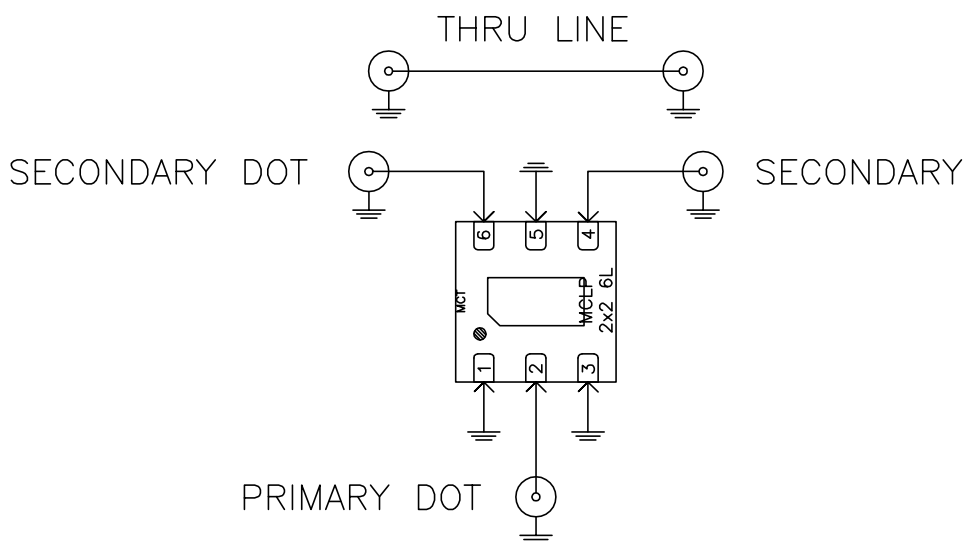
# Evaluation Board and Circuit

SEE DETAIL "A"



INDEX

DETAIL "A"  
(SCALE 5:1)

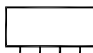


SCHMATIC DIAGRAM

Function	Pad
SECONDARY DOT	6
SECONDARY	4
PRIMARY DOT	2
GND	1,3,5

## Notes:

- 2.4mm Female Connectors,
- PCB Material: Roger R04350B or equivalent,  
Dielectric constant=3.5, Thickness=0.0066 inch

 **Mini-Circuits®**