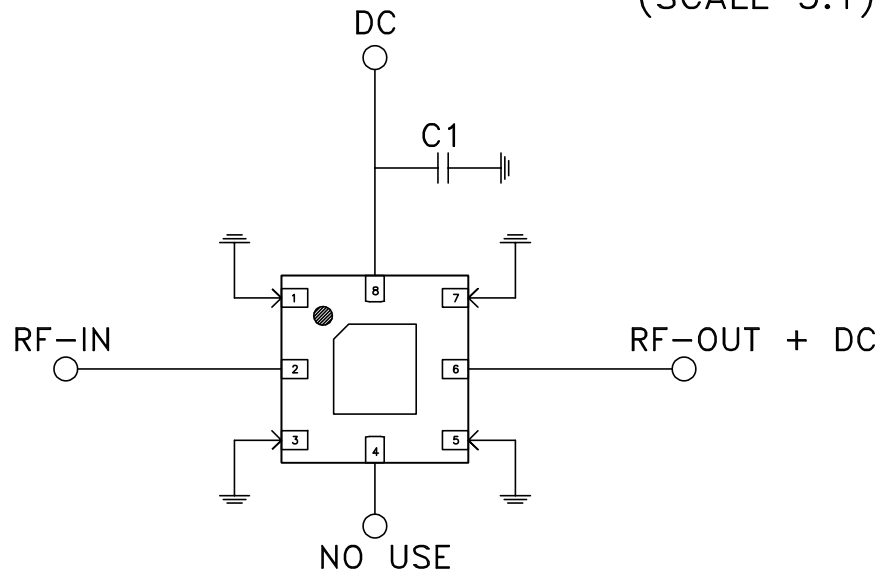
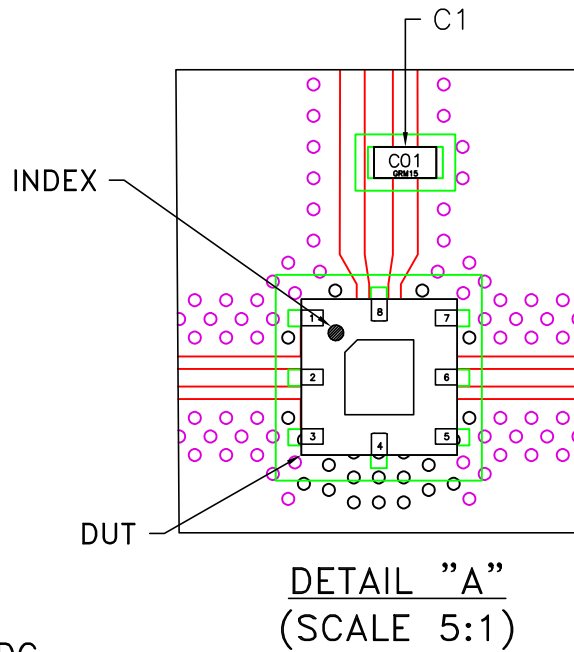
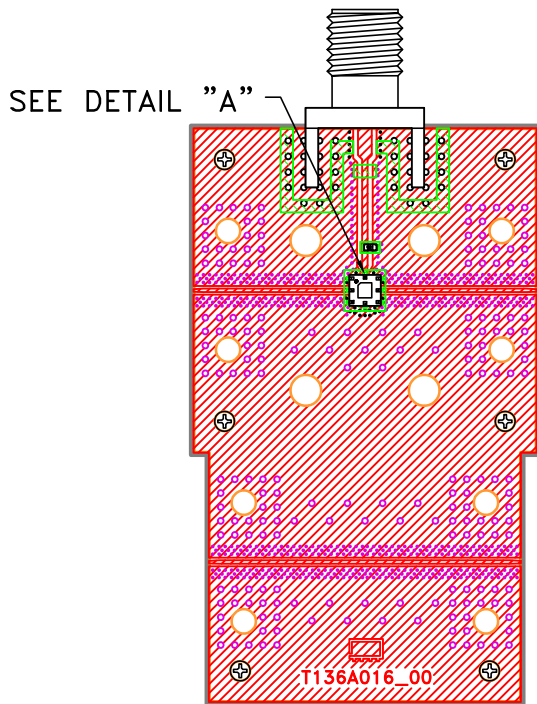


# Evaluation Board and Circuit




SCHMATIC DIAGRAM  
(SCALE 5:1)

Component	Size	Value	Part Number	Manufacturer
C1	0402	100pF	GRM1555C1H101JA01D	Murata

## NOTES:

- 2.4mm Female Connectors.
- PCB Material: Roger RO4350B or equivalent,  
Dielectric constant=3.5, Thickness=0.0066 inch

 **Mini-Circuits®**