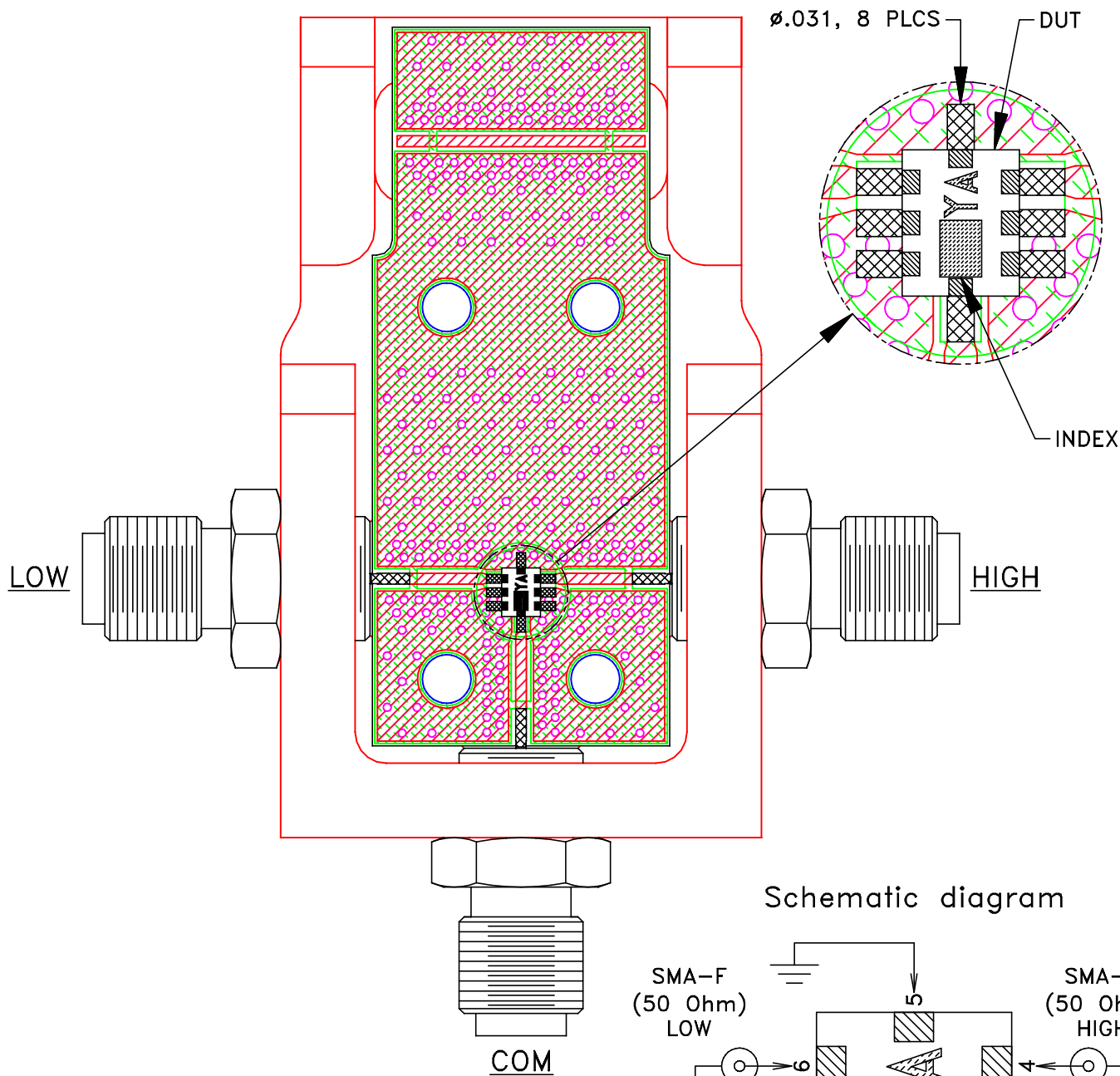
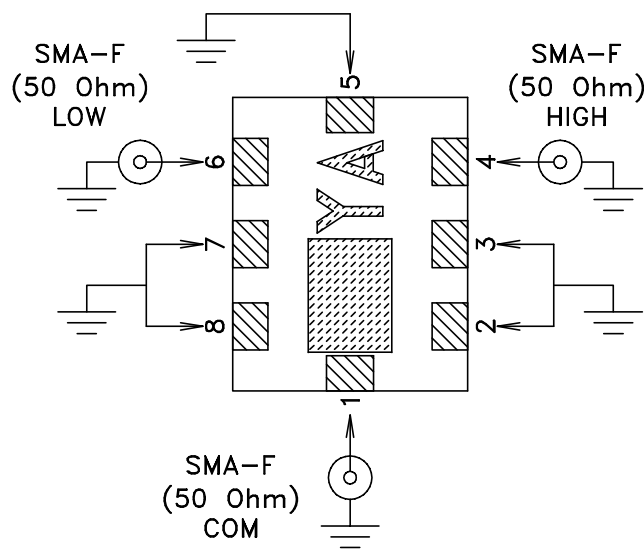


Evaluation Board and Circuit

TB-LDPQ-550252+



Schematic diagram



Notes:

1. PCB Material: ROGERS (R04350B) OR Equivalent, Dielectric Constant= 3.48 ± 0.05
Dielectric Thickness: $.010 \pm .001$ inch
2. 50 Ohm SMA Female Connectors.

Mini-Circuits®