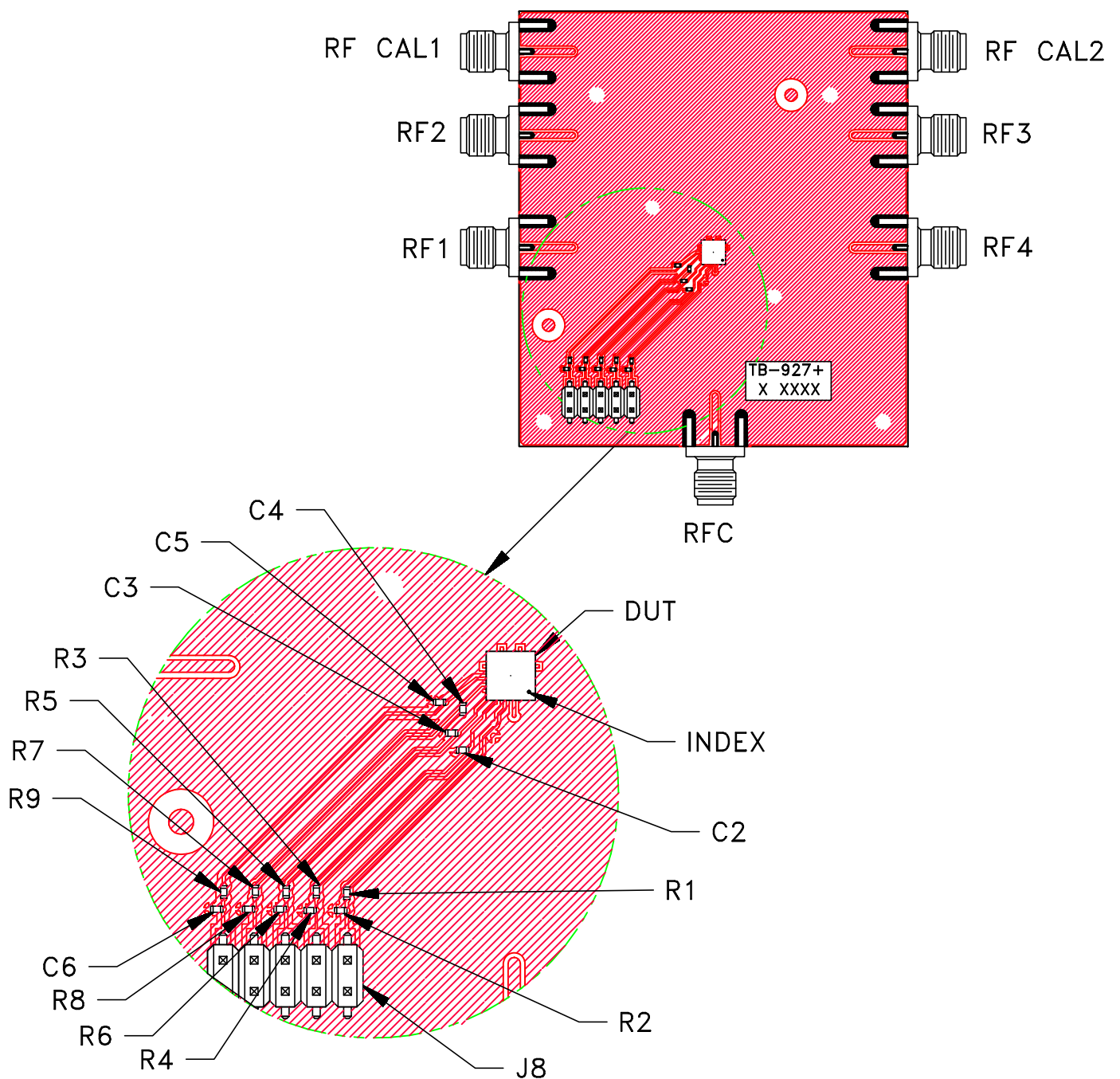



# Evaluation Board and Circuit

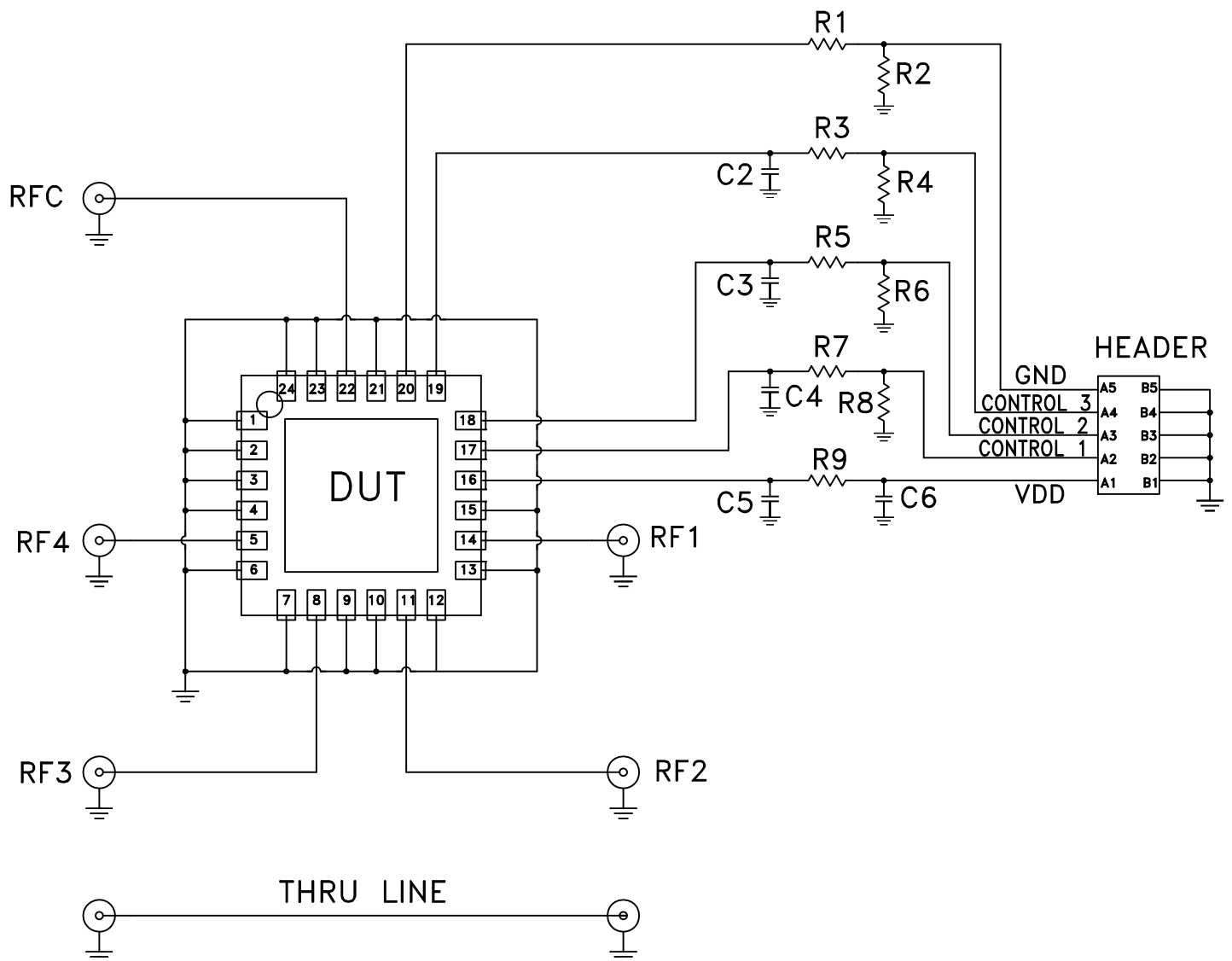


## Notes:

1. 50 Ohm SMA Female connectors.
2. PCB Material: RO4003C or equivalent,  
Dielectric Constant=3.5, Thickness=.035 inch.

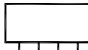
 **Mini-Circuits®**

# Evaluation Board and Circuit



COMPONENT	VALUE	SIZE
DUT	HSWA4-63DR+	4X4 MM
C2,C3,C4,C5	100 pF	0402
C6	1 uF	
R1,R2,R3,R5,R7,R9	0 Ohm	
R4,R6,R8	1 MOhm	

SCHMATIC DIAGRAM

 Mini-Circuits®