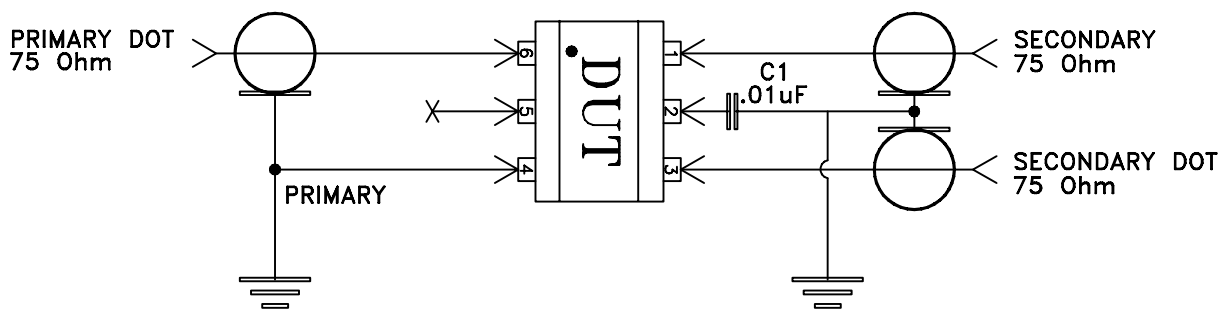
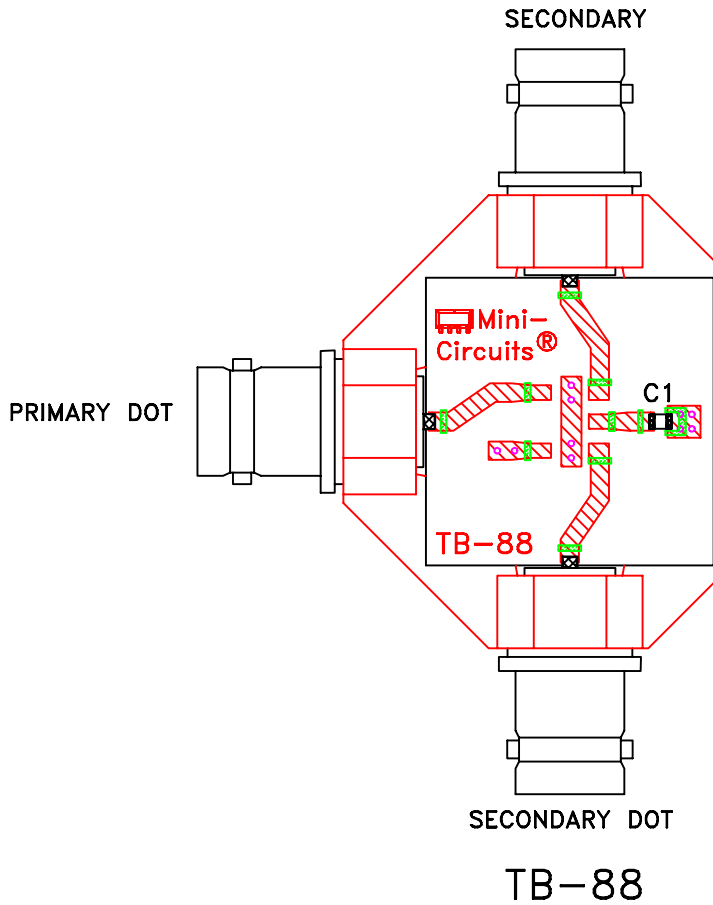


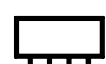
# Evaluation Board and Circuit



Schematic Diagram

## Notes:

1. 75 Ohm BNC Female connectors.
2. PCB Material: Rogers R04350 or equivalent,  
Dielectric Constant=3.5, Thickness=.060 inch.

 Mini-Circuits®