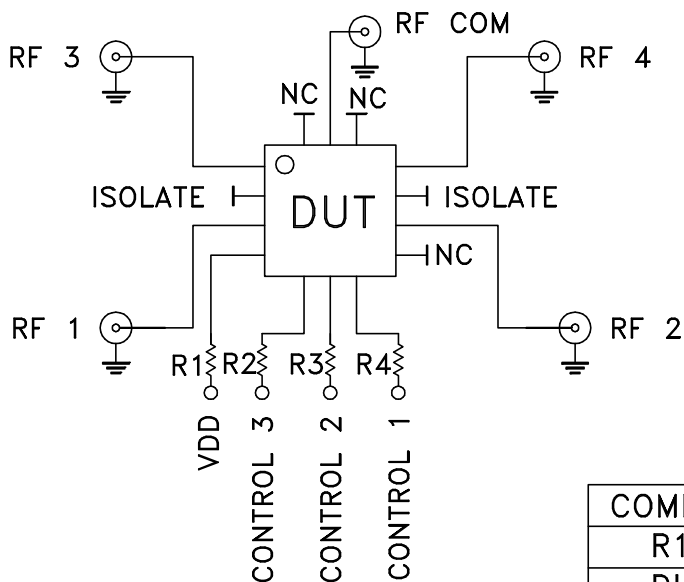
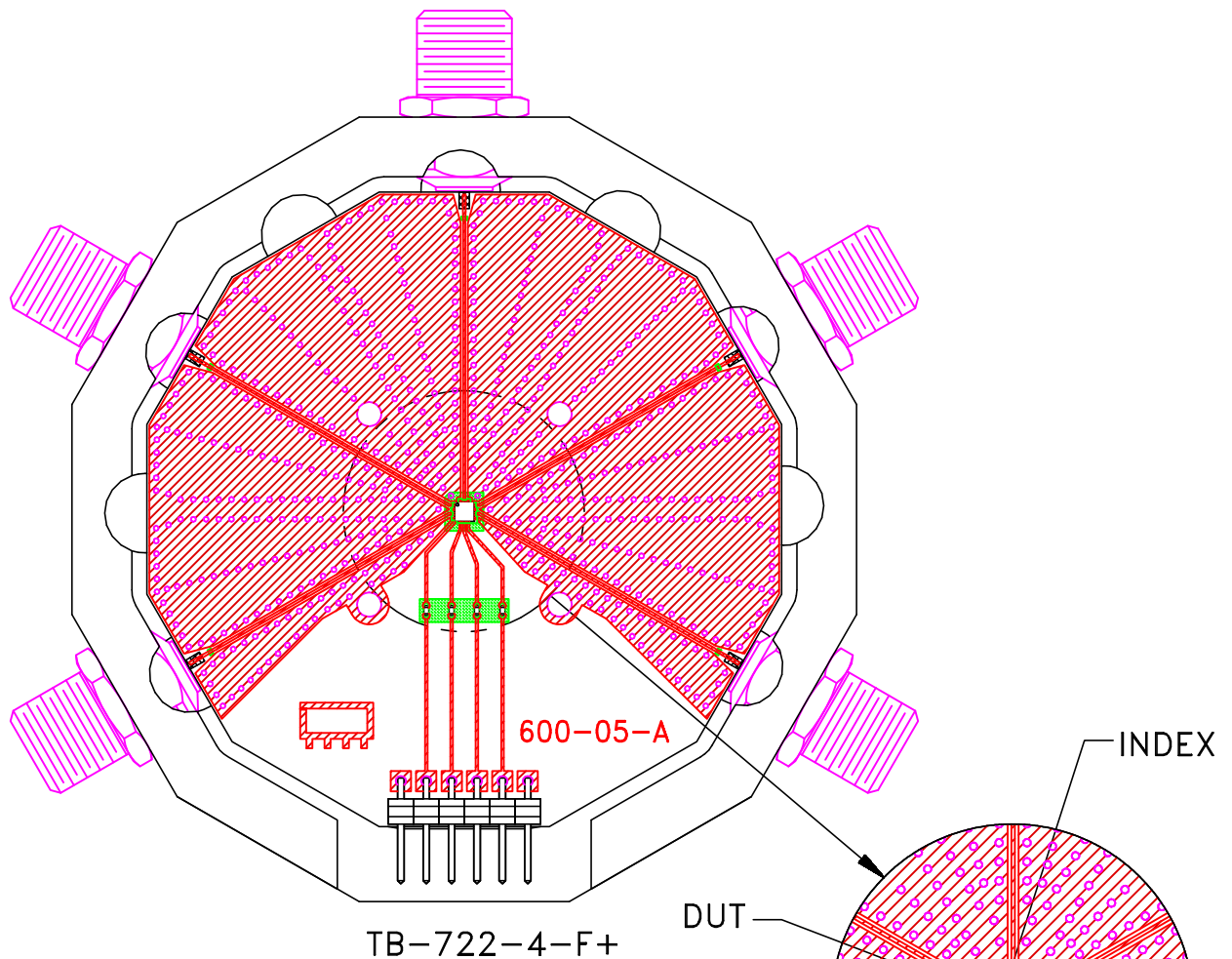


Evaluation Board and Circuit



COMPONENT	VALUE/PART NUMBER	SIZE
R1-R4	1 kOhm	.04X.02
DUT	JSW4-23DR-75+	.079X.079

Schematic Diagram

Notes:

1. 75 Ohm "F"-type Female connectors.
2. PCB Material: R04350 or equivalent,
Dielectric Constant=3.5,
Thickness=.030 inch.

