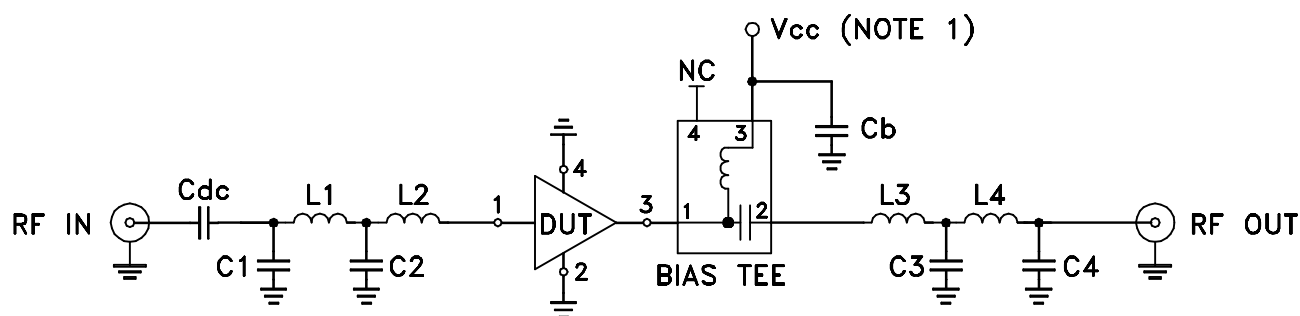
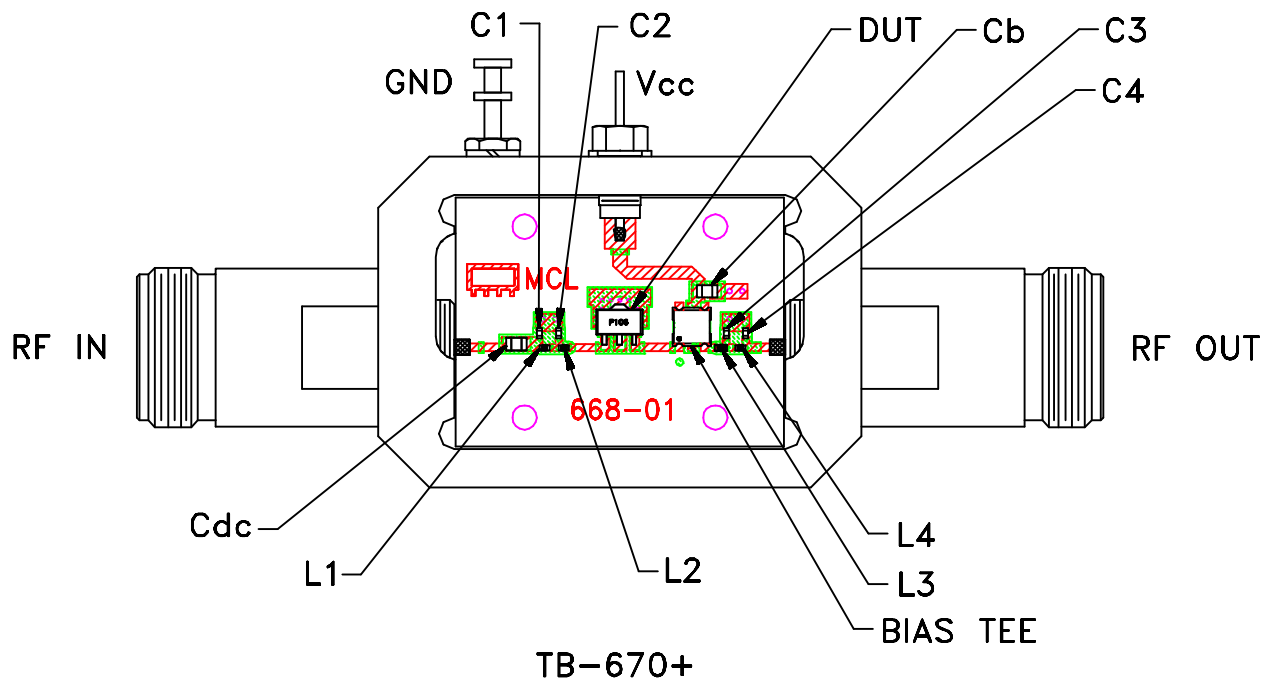


Evaluation Board and Circuit




COMPONENT	VALUE	SIZE
DUT	PGA-106-75+	-
BIAS TEE	Mini-Circuits TCBT-14+	-
Cdc	2400 pF	0805
Cb	0.1 uF	0805
C1	0.5 pF	0402
C2	1.3 pF	0402
C3	1.2 pF	0402
C4	0.7 pF	0402
L1,L2,L4	7.5 nH	0402
L3	4.7nH	0402

Schematic Diagram

NOTES:

1. Vcc voltage: $+5 \pm 0.2V$.
2. N-type 75 Ohm connectors.
3. PCB material: Rogers R04350 or equivalent, dielectric constant=3.5, dielectric thickness=.030 inch.

 **Mini-Circuits®**