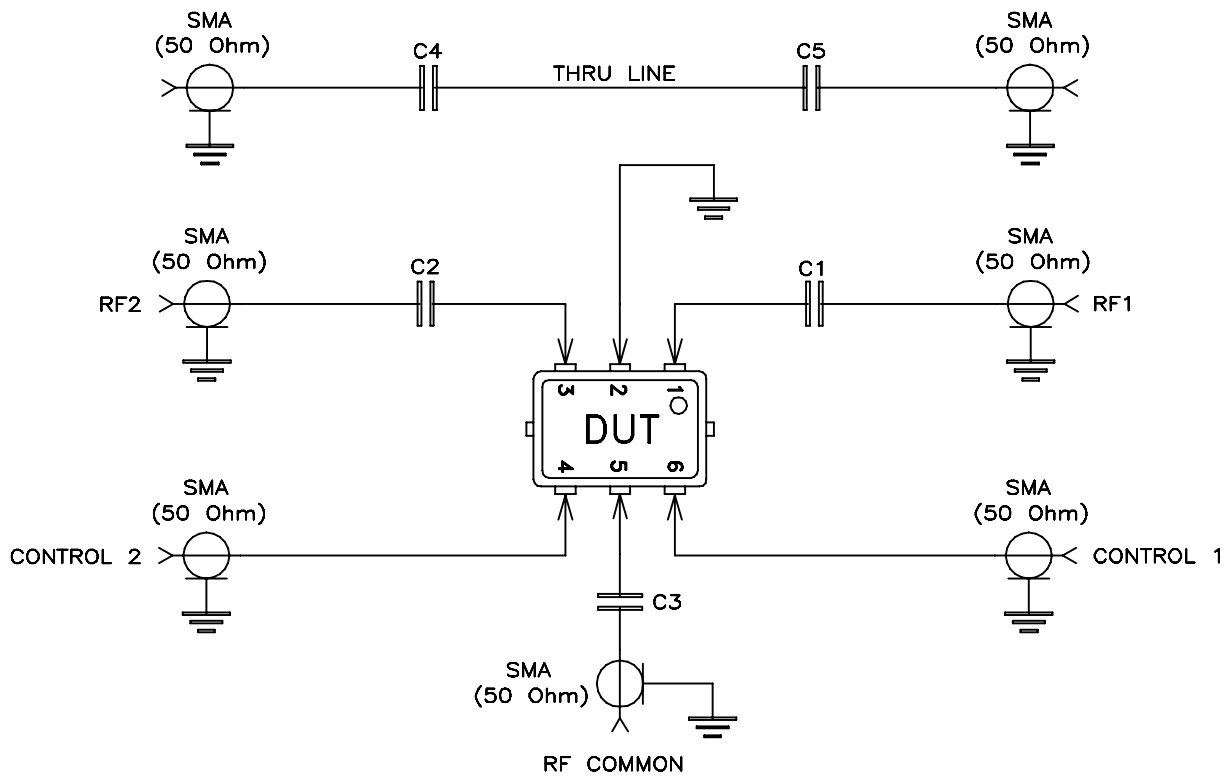
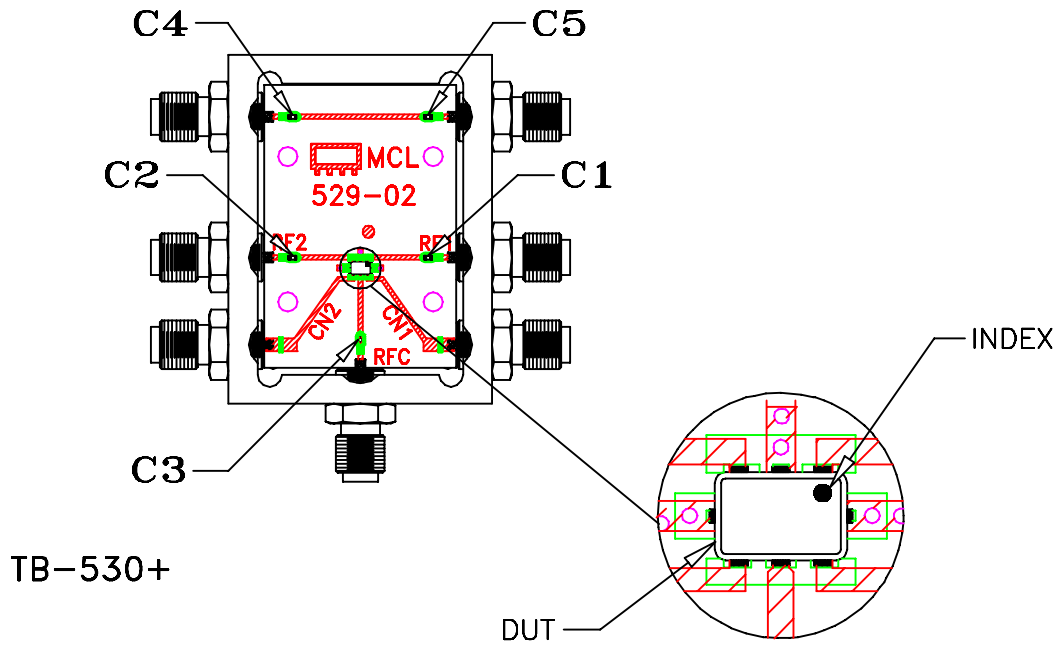



Evaluation Board and Circuit



COMPONENT	VALUE/PART NUMBER
DUT	Mini-Circuits VSW2-33-10W+
C1 - C5	0.001 uF

Notes:

1. 50 Ohm SMA Female connectors.
2. PCB Material: R04350 or equivalent,
Dielectric Constant=3.5, Thickness=.010 inch.

 **Mini-Circuits®**