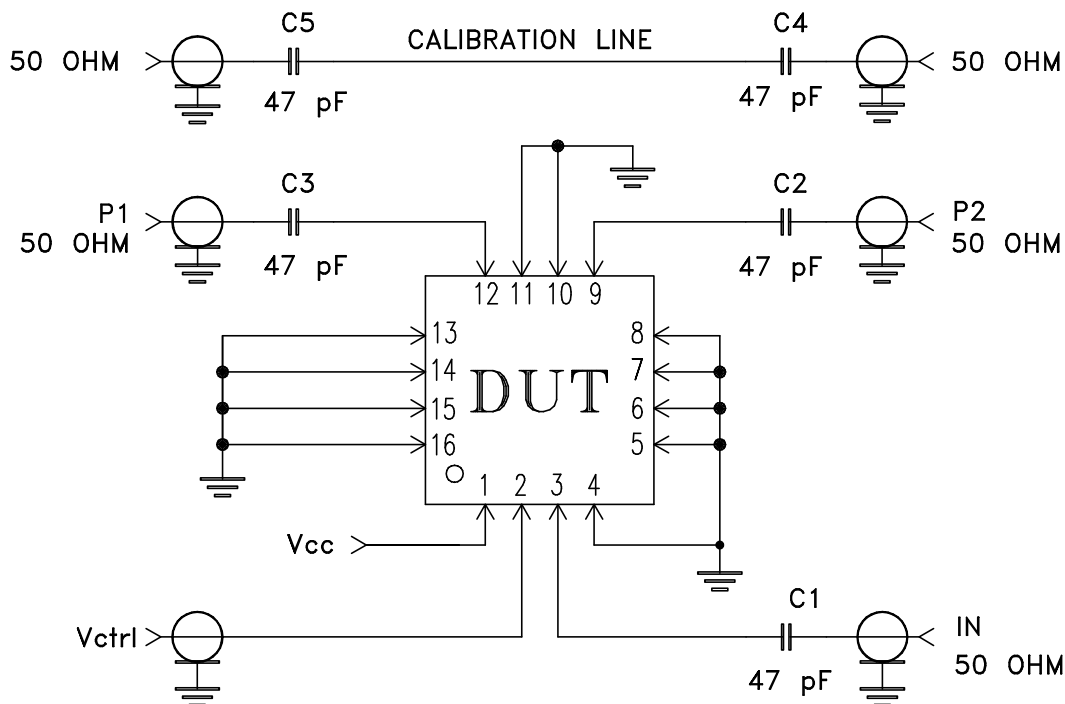
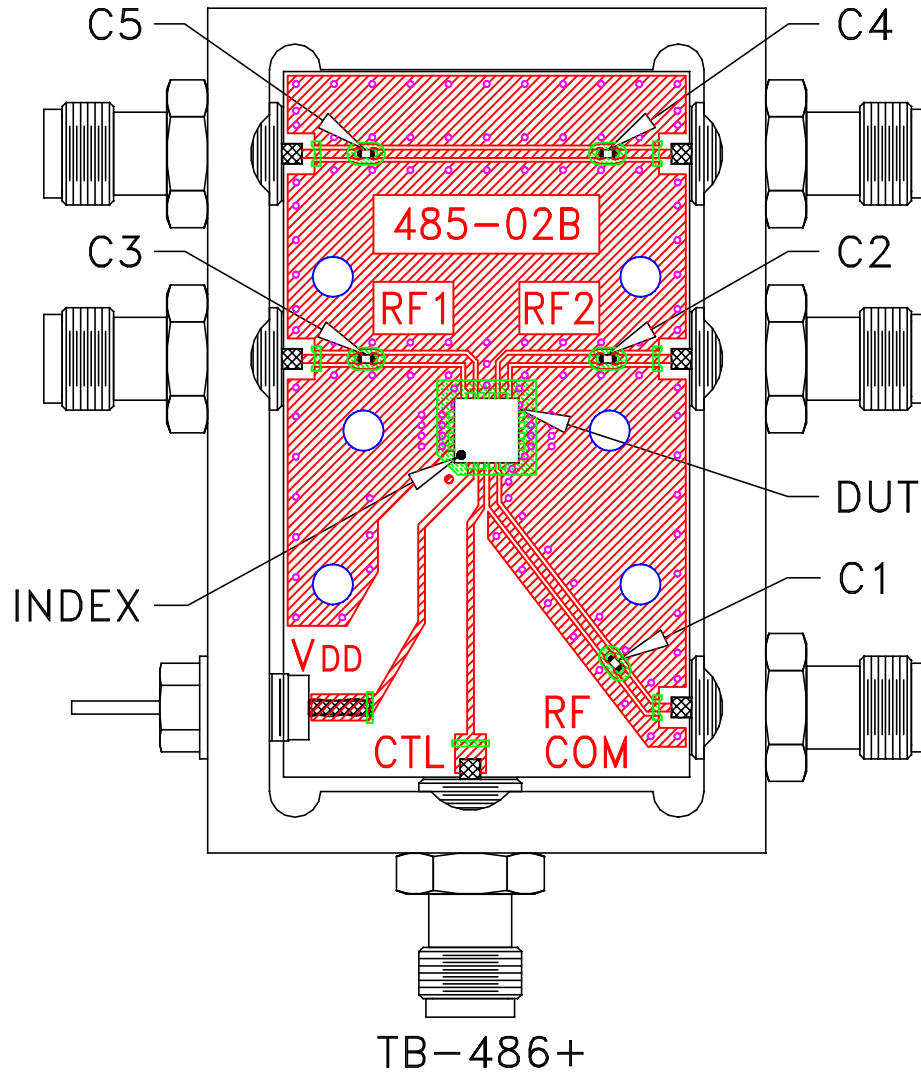



Evaluation Board and Circuit



NOTES:

1. 50 Ohm SMA Female connectors.
2. PCB Material: R04350 or equivalent, Dielectric Constant=3.5, Thickness=.010 inch.

Schematic Diagram

 **Mini-Circuits®**