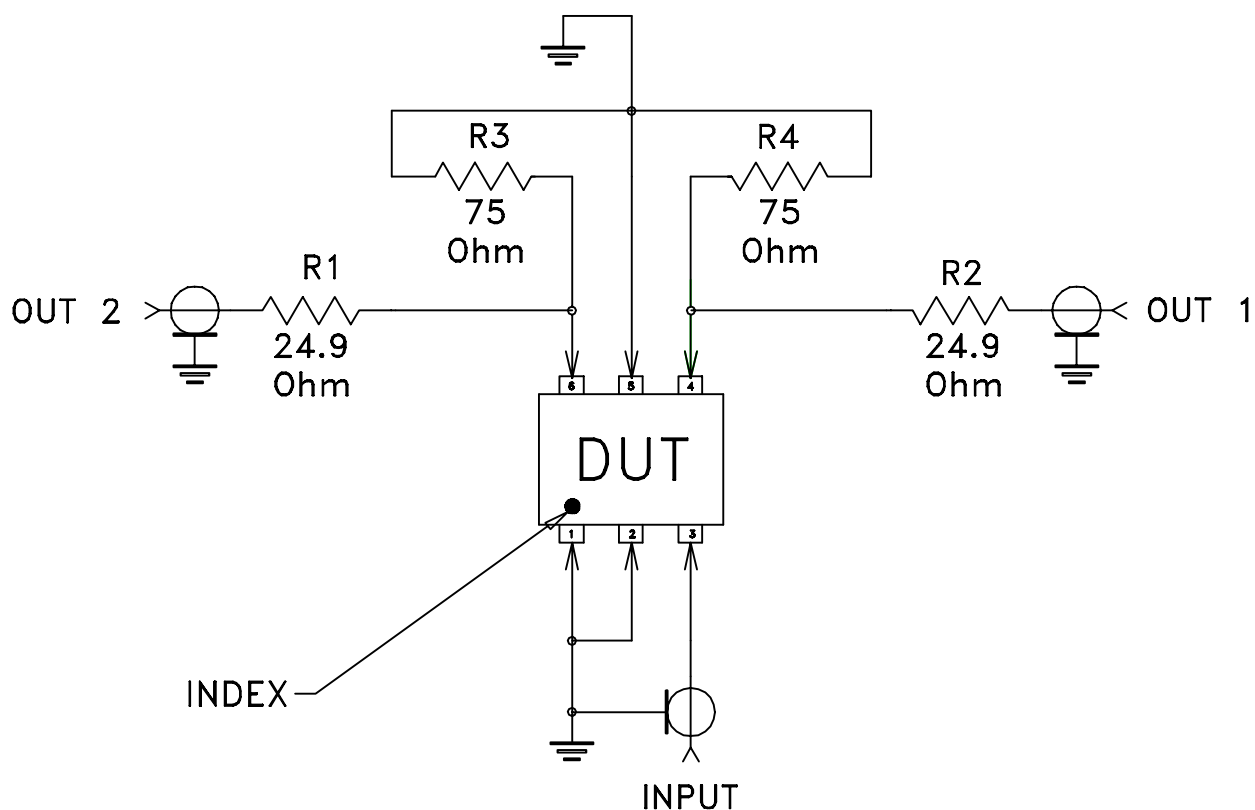
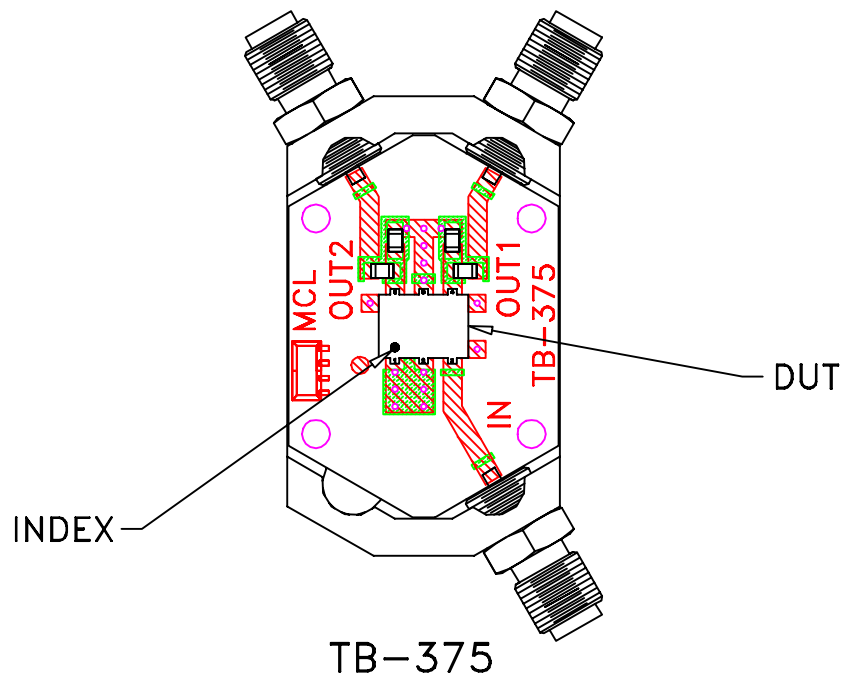



# Evaluation Board and Circuit



Schematic Diagram

## Notes:

1. 50 Ohm SMA Female connectors.
2. PCB Material: Rogers R04350 or its equivalent, Dielectric Constant=3.5, Thickness=.030"

 Mini-Circuits®