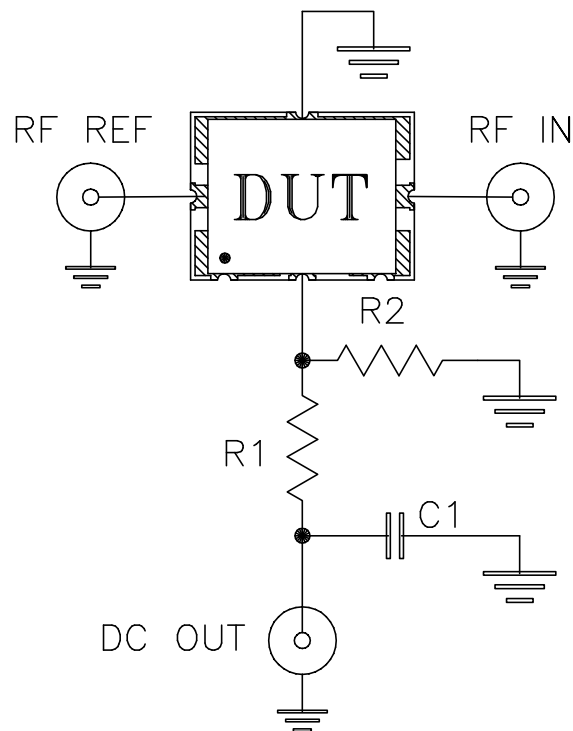
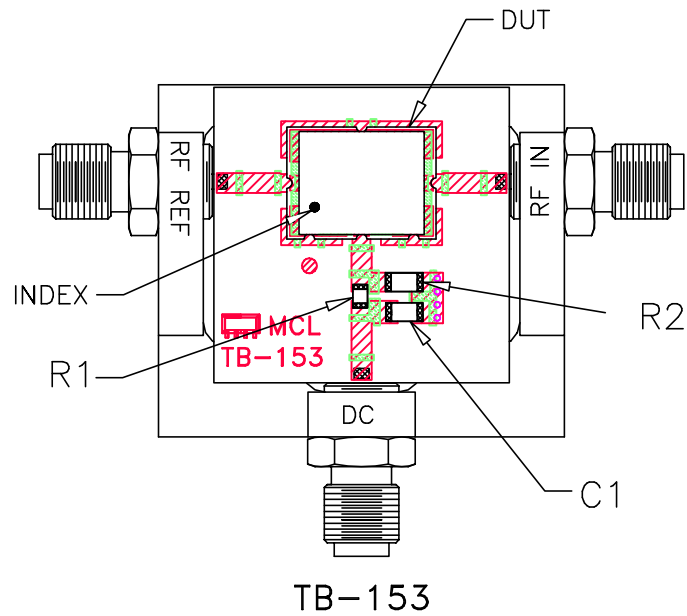


Evaluation Board and Circuit




COMPONENT	VALUE	SIZE
C1	Capacitor 0.10 μ F	1206
R1	Resistor 5620 Ohm	0805
R2	Resistor 499 Ohm	1206

Schematic Diagram

Notes:

1. 50 Ohm SMA Female connectors.
2. PCB Material: RO4350 or equivalent,
Dielectric Constant=3.5, Thickness=.020 inch.

 **Mini-Circuits®**