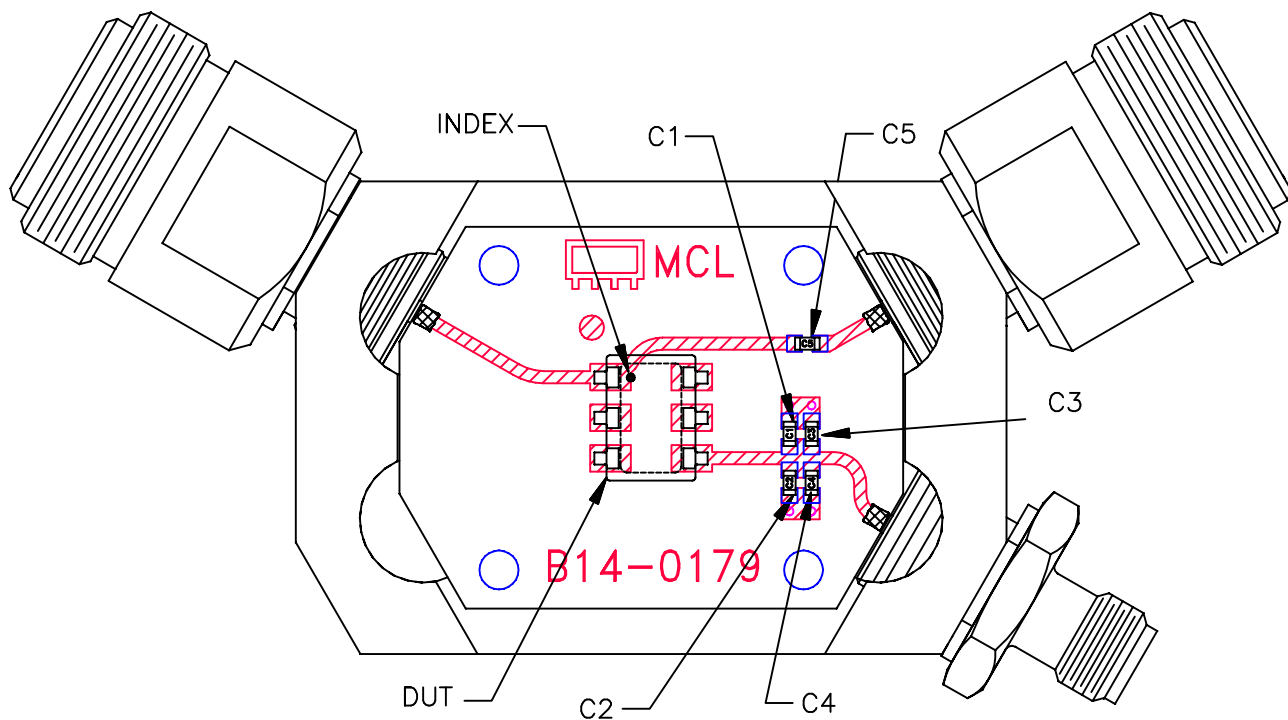
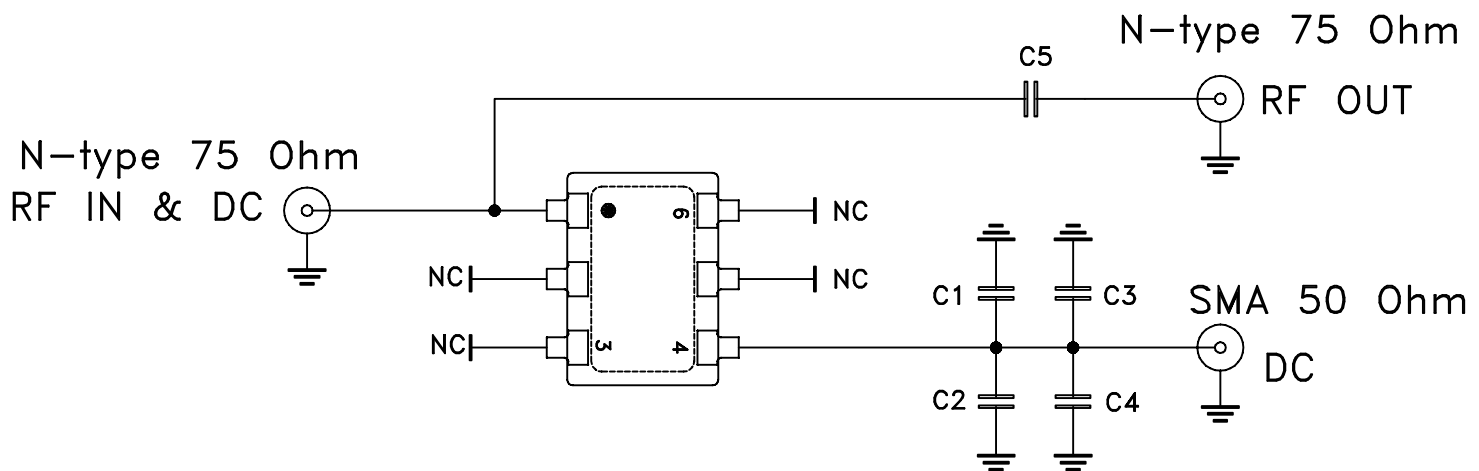


# Evaluation Board and Circuit



TB-1168+



COMPONENT	VALUE	SIZE
DUT	MCL ADCH-1220-75+	7.87X6.91 mm
C1,C2	Capacitor 82 pF	0603
C3,C4,C5	Capacitor .1 uF	

## SCHEMATIC DIAGRAM

### Note:

PCB Material: Rogers R04350 or equivalent,  
Dielectric Constant=3.5, Thickness=.030 inch.

 Mini-Circuits®