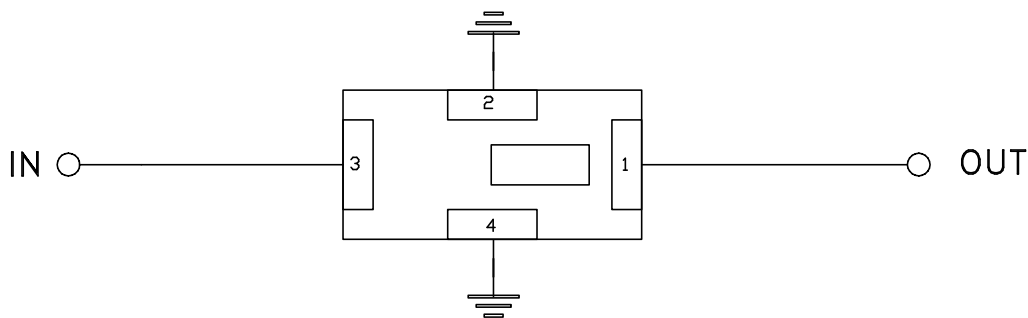
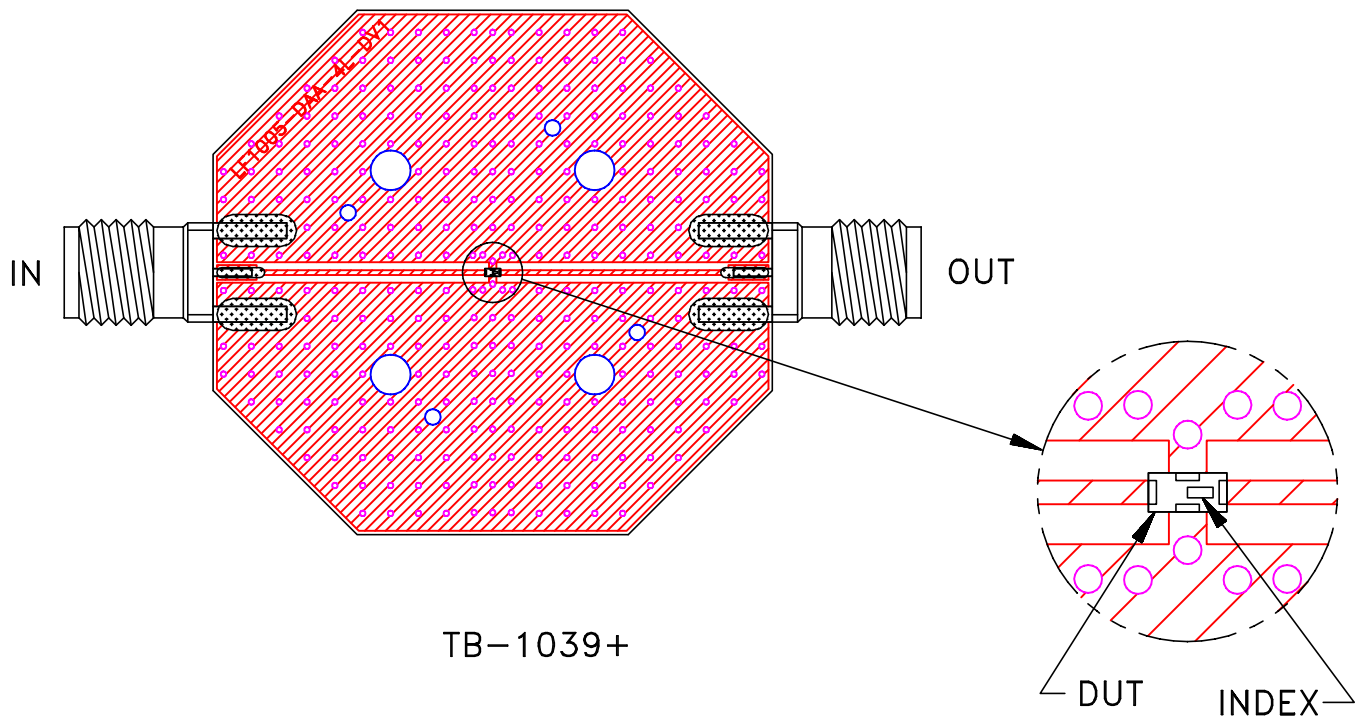
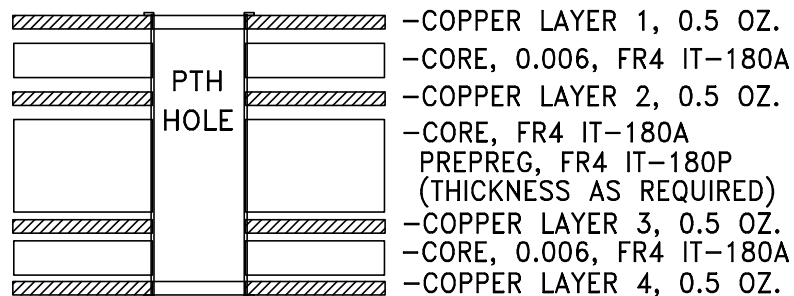


# Evaluation Board and Circuit




Schematic Diagram



Stack-up Diagram

## Notes:

1. 50 Ohm SMA Female connectors.
2. PCB Material: FR4 or equivalent, Dielectric Constant=4.5, Total finished Thickness = .058 inch.

 **Mini-Circuits®**