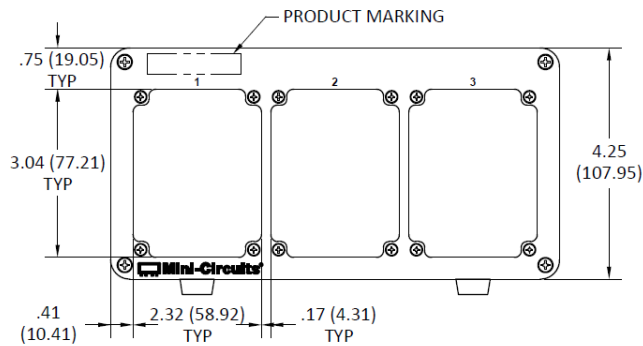
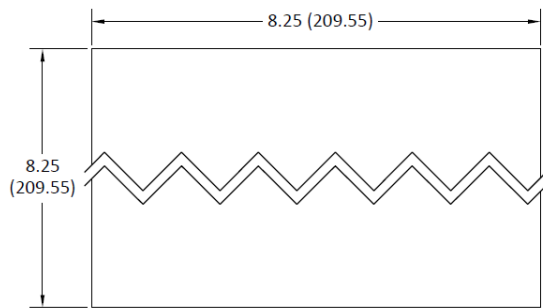
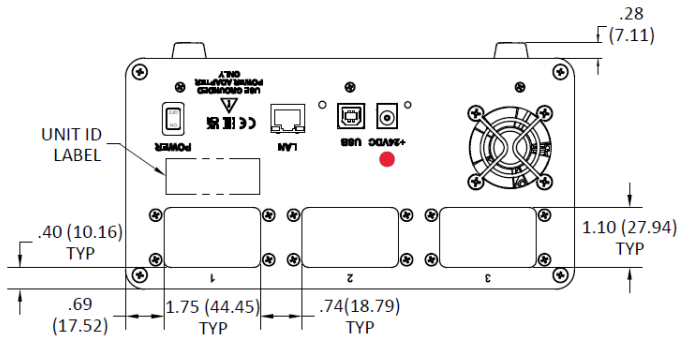
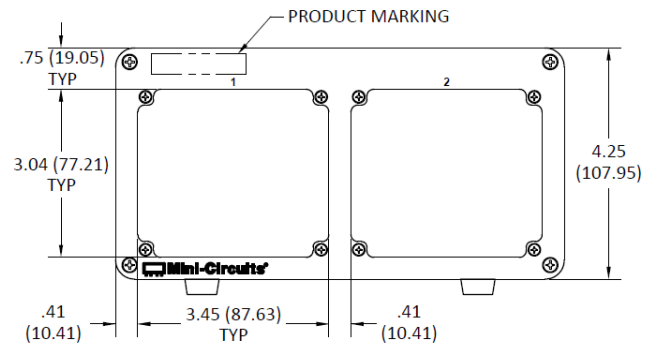


Outline Dimensions

UV2068



FRONT PANEL FOR RCM WITH RUDAT, SPDT, SP4T, SP6T & MTS SWITCHES



FRONT PANEL FOR RCM WITH SP8T SWITCHES

Notes:

1. Case material: Aluminum alloy.
2. Finish: Clear chemical conversion coating
3. Dimensions are in inches (mm). Tolerances: 2 Pl. ± 0.03 inch; 3 Pl. ± 0.015 inch
4. Weight: 2350 grams.
5. Marking may contain other features or characters for internal lot control.



Distribution Centers NORTH AMERICA 800-654-7949 • 417-335-5935 • Fax 417-335-5945 • EUROPE 44-1252-832600 • Fax 44-1252-837010

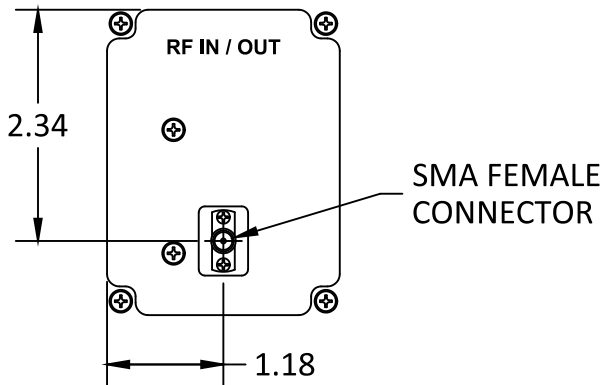
Mini-Circuits ISO 9001 & ISO 14001 Certified

INTERNET <http://www.minicircuits.com>

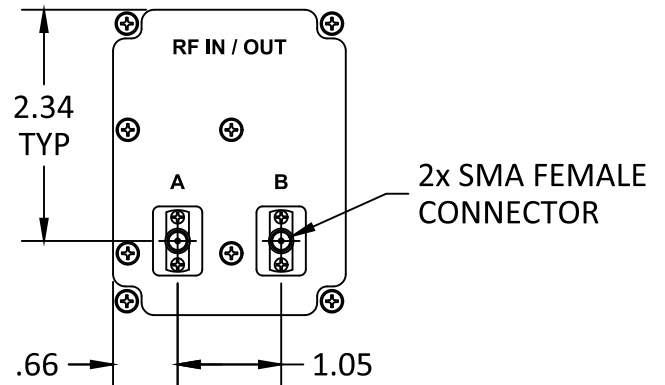
P.O. Box 350166, Brooklyn, New York 11235-0003 (718) 934-4500 Fax (718) 332-4661

RUDAT Programmable Attenuator Options:

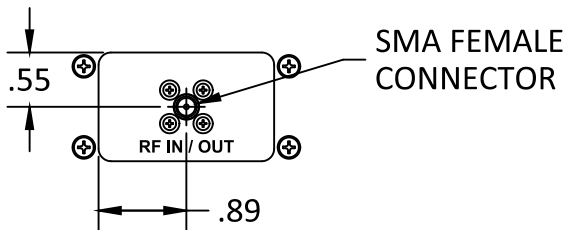
UV2068



FRONT PANEL

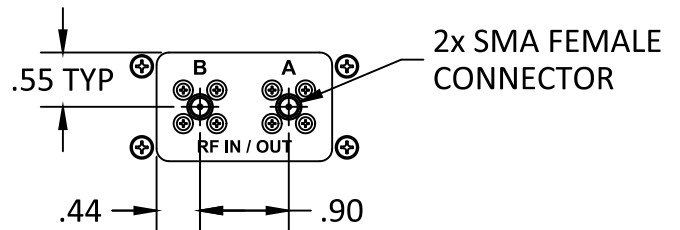


FRONT PANEL



REAR PANEL

SINGLE RUDAT

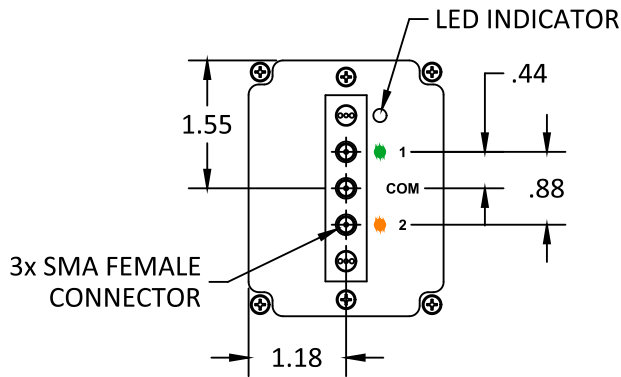


REAR PANEL

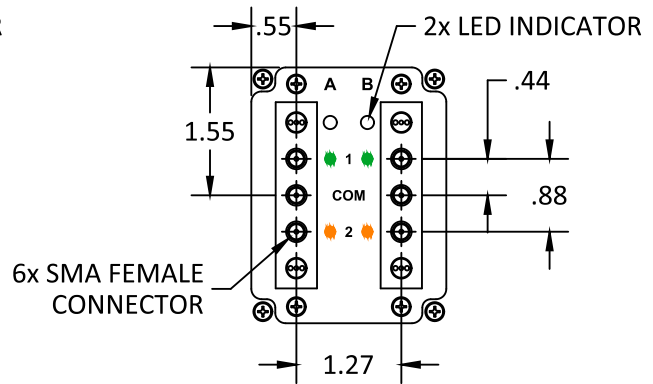
DUAL RUDAT

SPDT Switch Options:

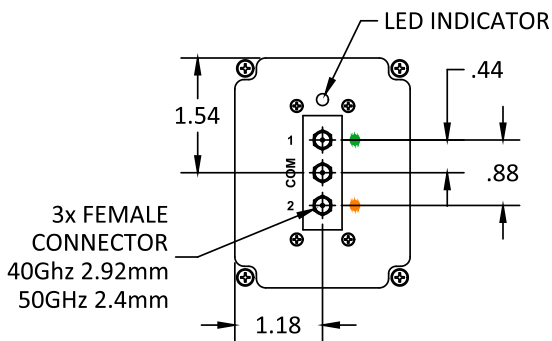
UV2068



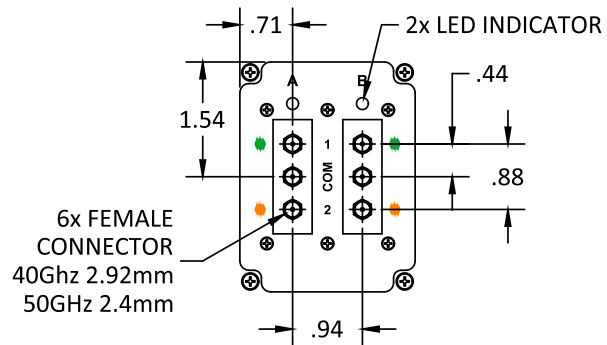
SPDTA 18GHz
SPDTA 26GHz



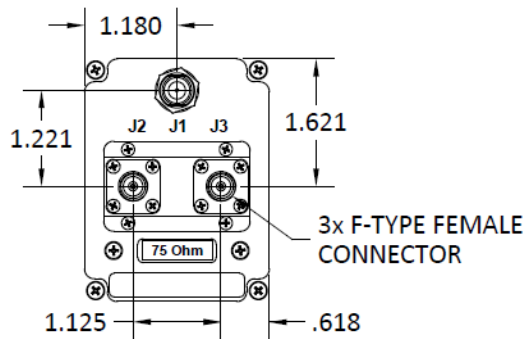
DUAL SPDTA 18GHz
DUAL SPDTA 26GHz



SPDT 40GHz
SPDT 50GHz



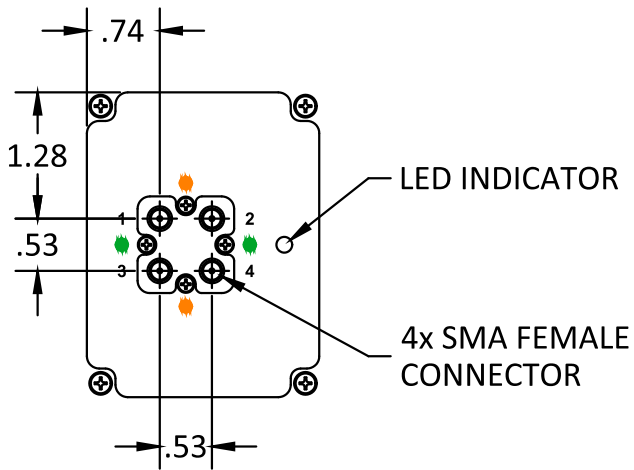
DUAL SPDT 40GHz
DUAL SPDT 50GHz



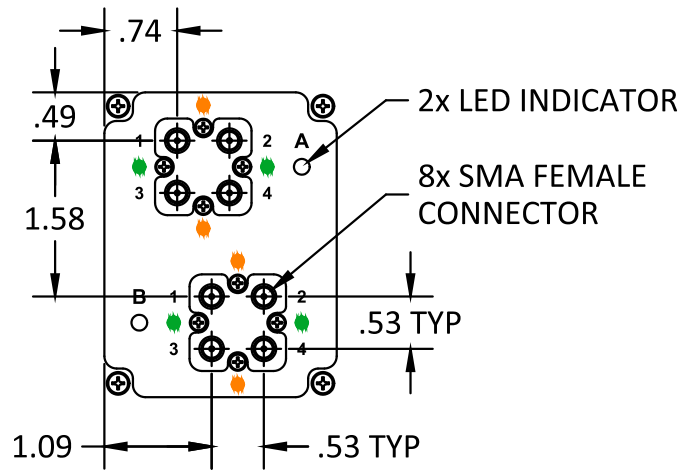
SPDT 2.15GHz

MTS (Transfer) Switch Options:

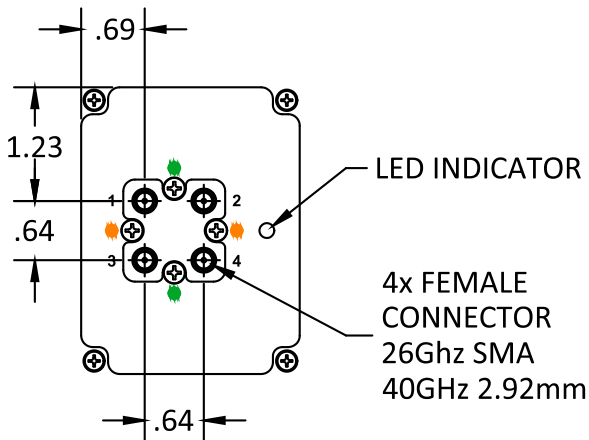
UV2068



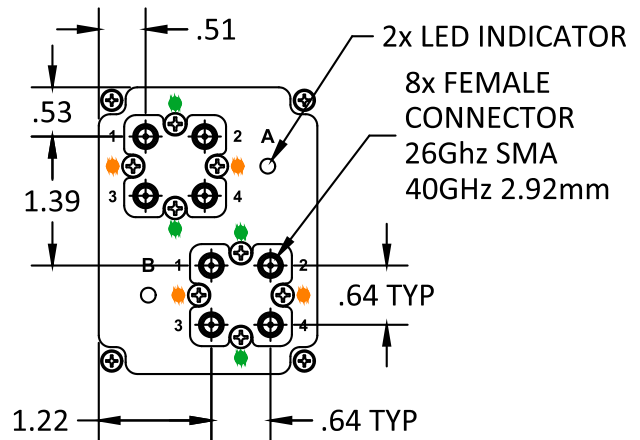
MTS 18GHz



DUAL MTS 18GHz



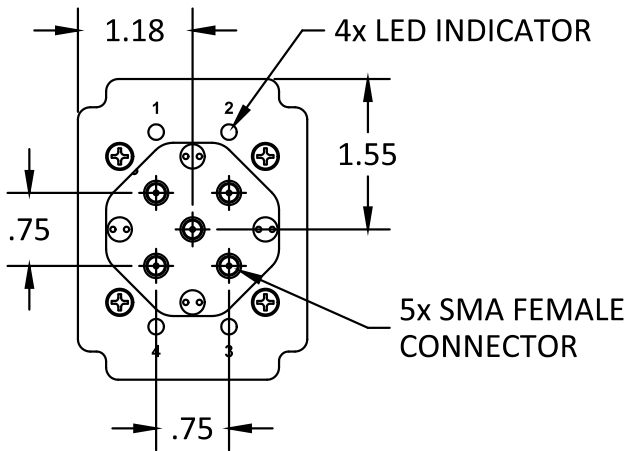
MTS 26GHz



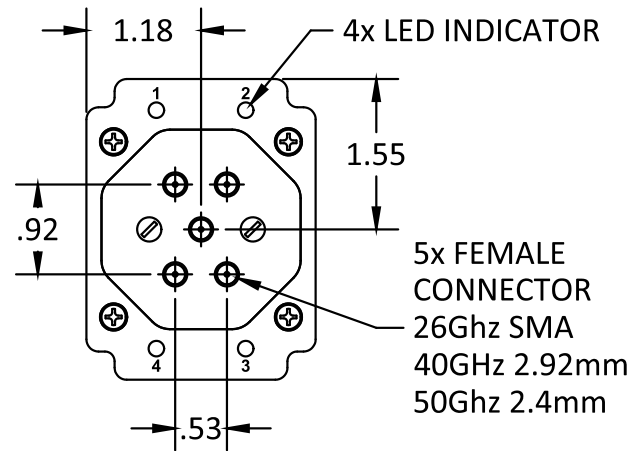
DUAL MTS 26GHz

SP4T and SP6T Switch Options:

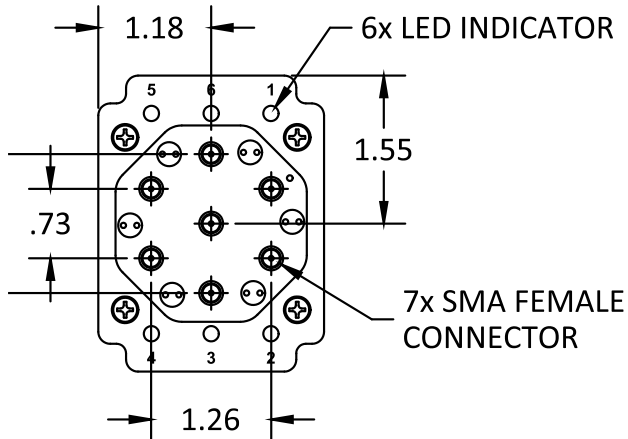
UV2068



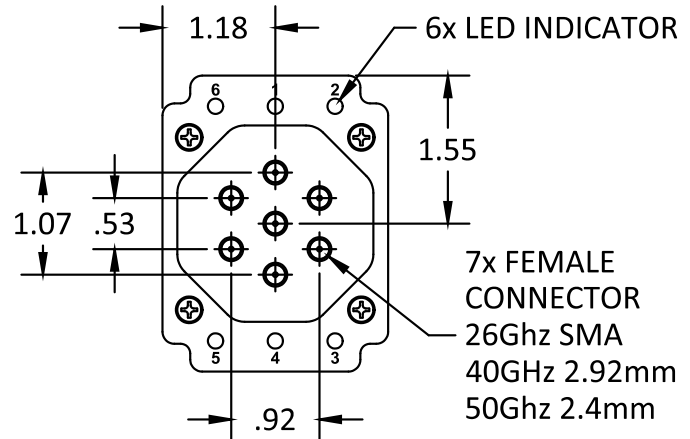
SP4TA 18GHz



SP4TA 26GHz
SP4TA 40GHz
SP4TA 50GHz



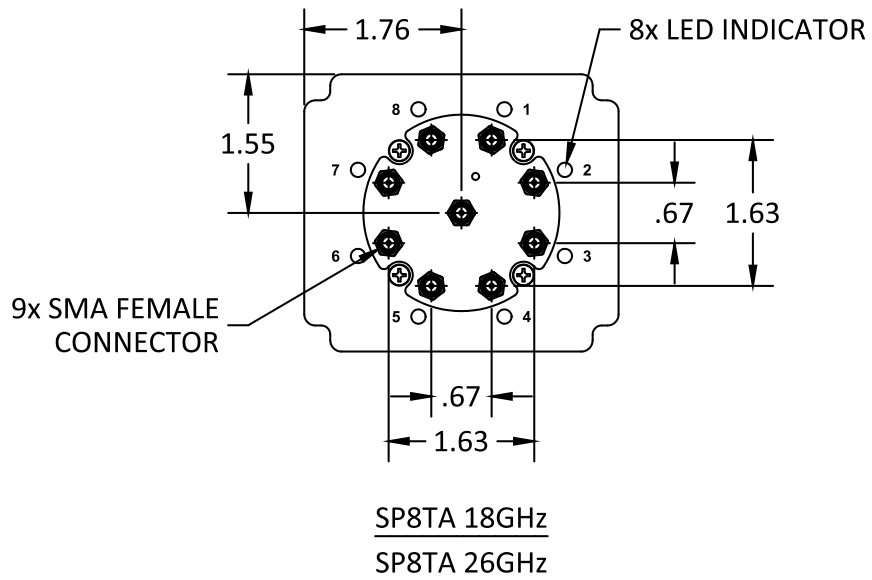
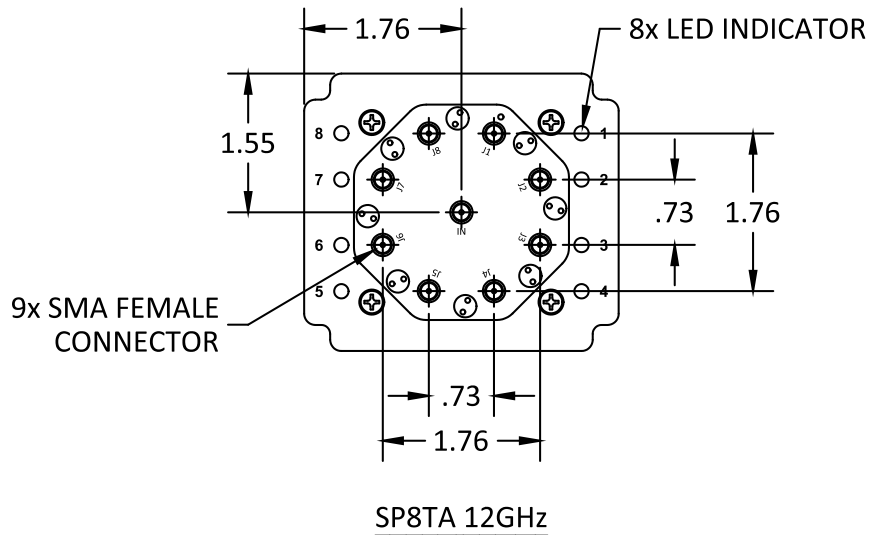
SP6TA 12GHz
SP6TA 18GHz



SP6TA 26GHz
SP6TA 40GHz
SP6TA 50GHz

SP8T Switch Options:

UV2068



INTERNET <http://www.minicircuits.com>

P.O. Box 350166, Brooklyn, New York 11235-0003 (718) 934-4500 Fax (718) 332-4661

Distribution Centers NORTH AMERICA 800-654-7949 • 417-335-5935 • Fax 417-335-5945 • EUROPE 44-1252-832600 • Fax 44-1252-837010

Mini-Circuits ISO 9001 & ISO 14001 Certified