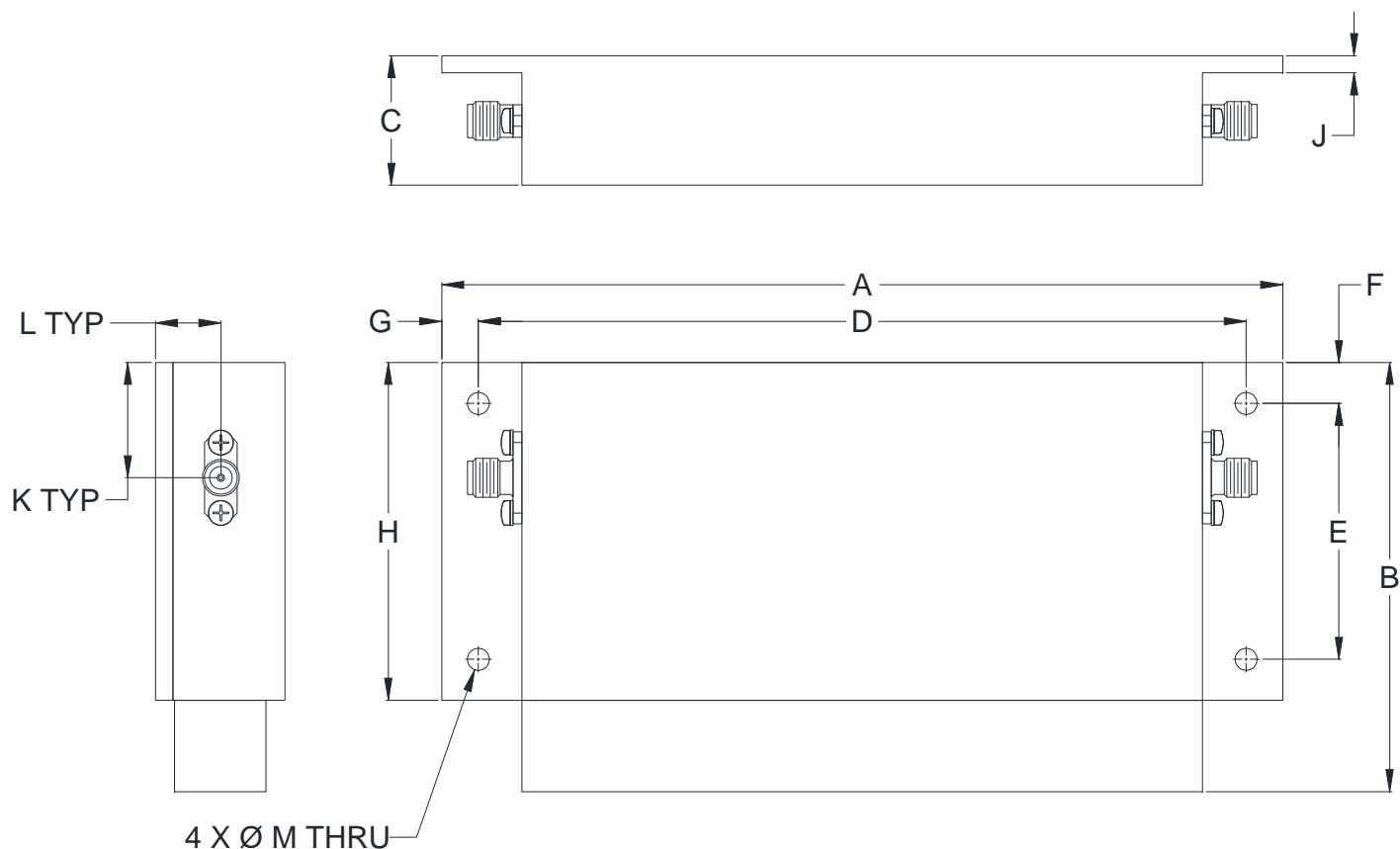


## Outline Dimensions

UF2459



CASE#	A	B	C	D	E	F	G
UF2459	5.75 (146.04)	2.94 (74.55)	.89 (22.50)	5.250 (133.35)	1.750 (44.45)	.28 (7.11)	.25 (6.34)

CASE#	H	J	K	L	M	WT. GRAMS
UF2459	2.31 (58.67)	.12 (3.00)	.79 (20.02)	.45 (11.34)	.140 (3.56)	267

Dimensions are in inches (mm). Tolerances: 2 Pl.  $\pm .100$ ; 3 Pl.  $\pm .015$

### Notes:

1. Case material: Aluminum alloy.
2. Case Finish: Powder coated.
3. Refer to the individual model data sheet for the type of connectors available.



P.O. Box 350166, Brooklyn, New York 11235-0003 (718) 934-4500 Fax (718) 332-4661 For detailed performance specs & shopping online see Mini-Circuits web site



The Design Engineers Search Engine Provides ACTUAL Data Instantly From MINI-CIRCUITS At: [www.minicircuits.com](http://www.minicircuits.com)

RF/IF MICROWAVE COMPONENTS