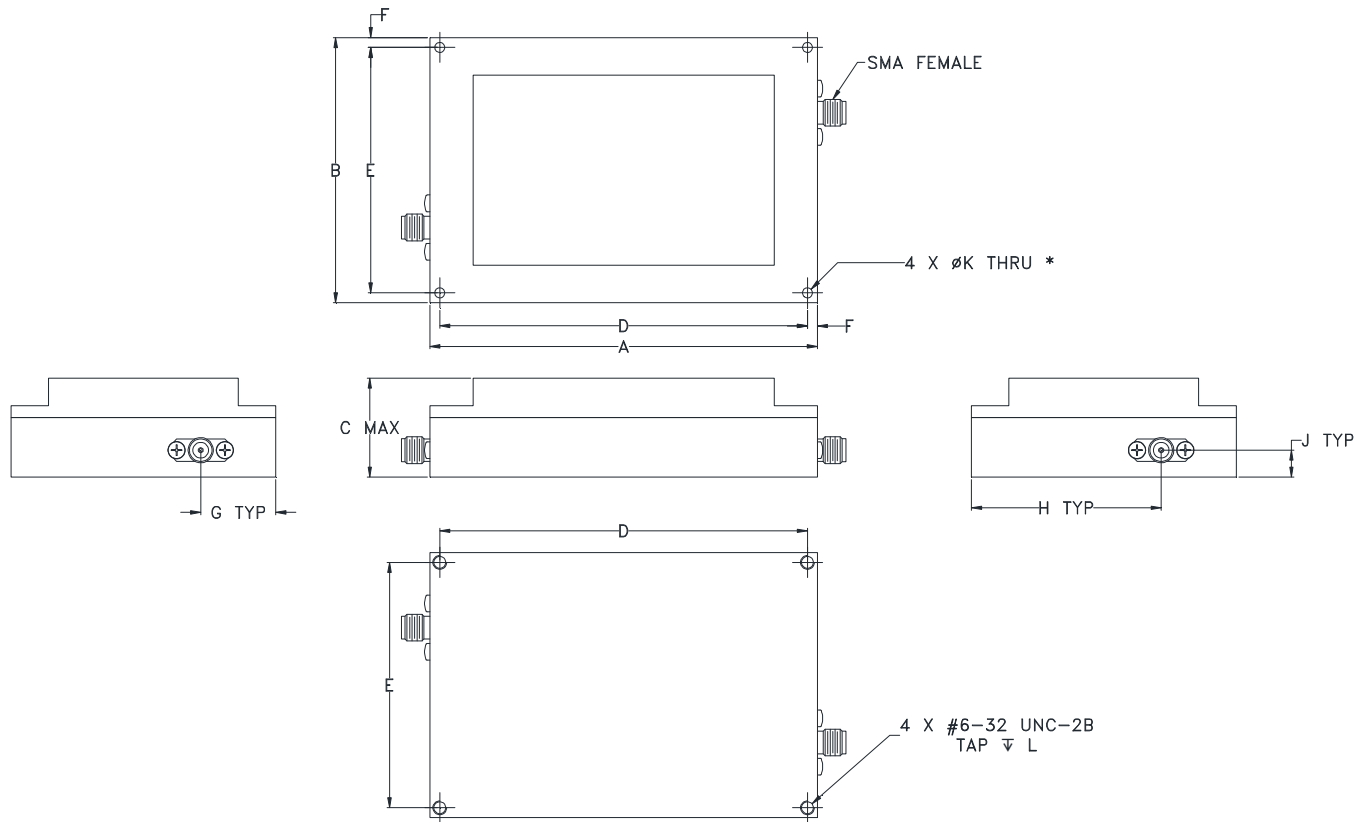


Outline Dimensions

QZ2439



CASE#	A	B	C	D	E	F	G
QZ2439	3.86 (98.00)	2.64 (67.00)	.98 (25.00)	3.66 (93.00)	2.44 (62.00)	.1 (2.50)	.75 (19.00)

CASE#	H	J	K*	L	WT. GRAMS
QZ2439	1.89 (48.00)	.27 (6.80)	.100 (2.54)	.24 (6.00)	240

Dimensions are in inches (mm). Tolerances: 2 Pl. $\pm .100$; 3 Pl. $\pm .015$

* Optional Feature for Mounting.

Notes:

1. Case material: Brass & Aluminum alloy.
2. Case finish: Powder coated.
3. Refer to the individual model data sheet for the type of connectors available.



P.O. Box 350166, Brooklyn, New York 11235-0003 (718) 934-4500 Fax (718) 332-4661 For detailed performance specs & shopping online see Mini-Circuits web site



The Design Engineers Search Engine Provides ACTUAL Data Instantly From MINI-CIRCUITS At: www.minicircuits.com

RF/IF MICROWAVE COMPONENTS