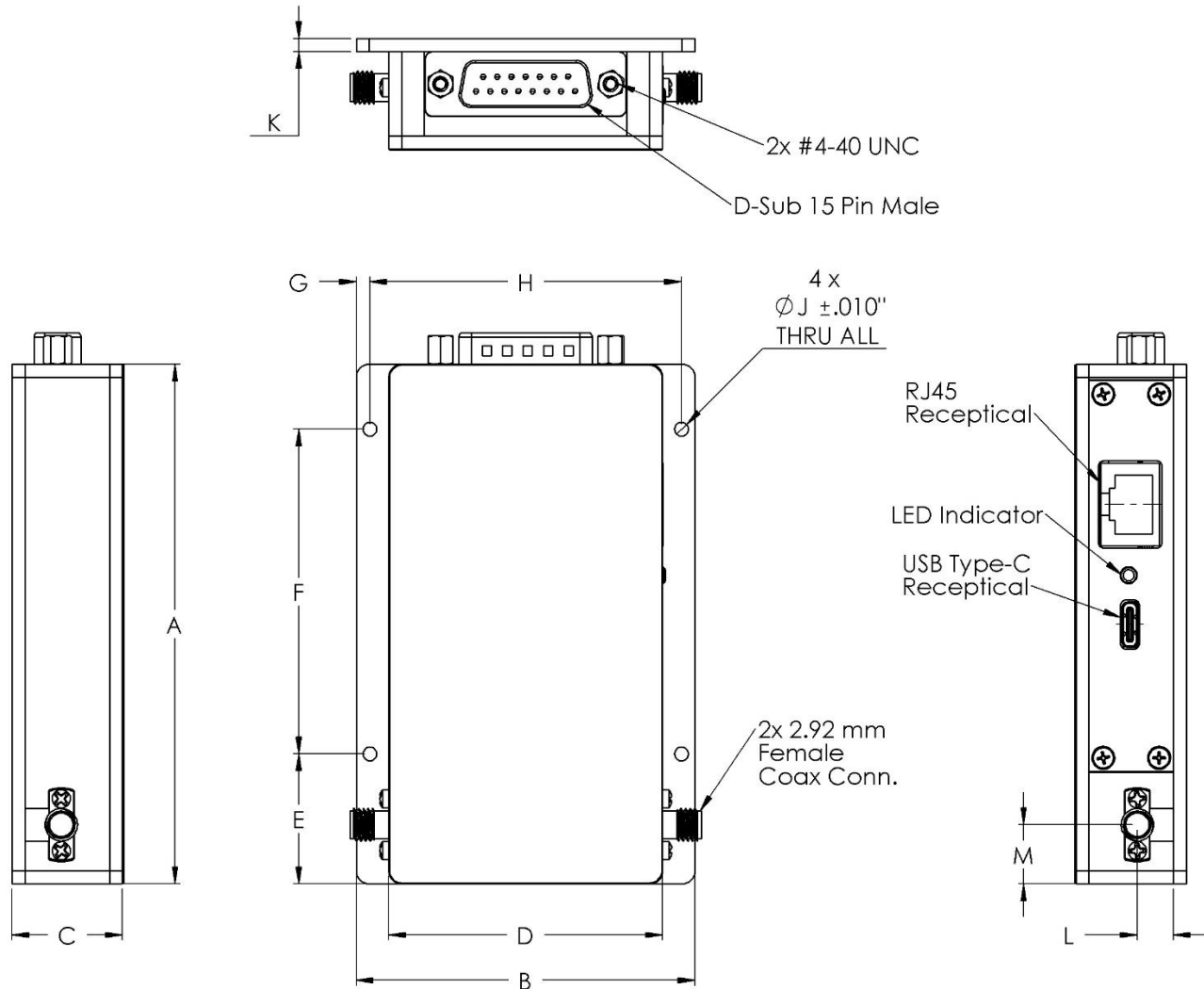


Case Style

QF

Outline Dimensions

QF3189



CASE#	A	B	C	D	E	F	G	H	J	K	L	M	WT. GRAMS
QM3189	4.00 (101.60)	2.61 (66.29)	.850 (21.59)	2.11 (53.59)	1.00 (25.40)	2.500 (63.50)	.105 (2.67)	2.400 (60.96)	0.106 (2.69)	0.100 (2.54)	.278 (7.06)	.455 (11.56)	250

Dimensions are in inches (mm). Tolerances: 2PL. +/- .03; 3PL. +/- .015

Notes:

- Case material: Nickel Plated Aluminum.



INTERNET <http://www.minicircuits.com>

P.O. Box 350166, Brooklyn, New York 11235-0003 (718) 934-4500 Fax (718) 332-4661

Distribution Centers NORTH AMERICA 800-654-7949 • 417-335-5935 • Fax 417-335-5945 • EUROPE 44-1252-832600 • Fax 44-1252-837010

Mini-Circuits ISO 9001 & ISO 14001 Certified