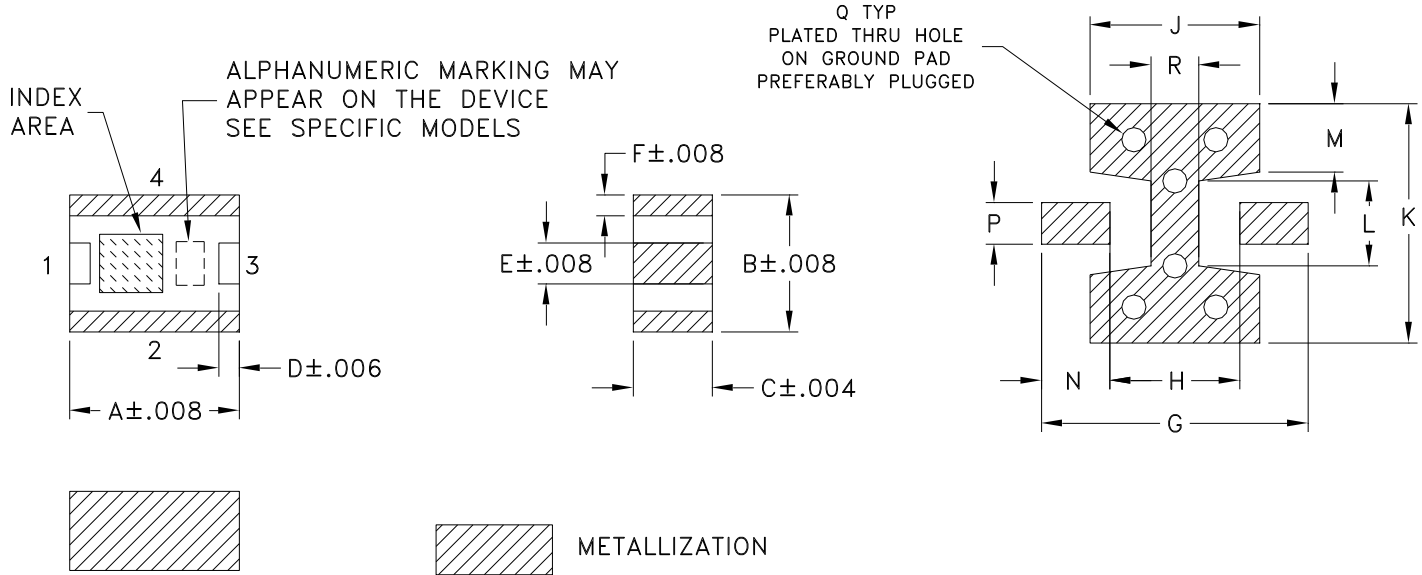


Outline Dimensions

NL1008C-3

PCB Land Pattern



Suggested Layout,
Tolerance to be within $\pm .002$

CASE #	A	B	C	D	E	F	G	H	J	K	L	M	N
NL1008C-3	.098 (2.50)	.079 (2.00)	.046 (1.16)	.012 (0.30)	.024 (0.60)	.012 (0.30)	.154 (3.90)	.075 (1.90)	.098 (2.50)	.138 (3.50)	.055 (1.40)	.041 (1.05)	.039 (1.00)

CASE #	P	Q	R	WT. GRAM
NL1008C-3	.024 (0.60)	.014 (0.35)	.028 (0.70)	.019

Dimensions are in inches (mm). Tolerances: 2 Pl. $\pm .01$; 3 Pl. $\pm .005$

Notes:

- Open style, ceramic base.
- Termination finish:
For RoHS Case Styles: Tin plate over Nickel plate. All models, (+) suffix.
For RoHS-5 Case Styles: Tin-Lead plate. All models, no (+) suffix.
- Pad tolerance is non-cumulative. Minimum spacing between each pad is .004.
- Line width should be designed to match 50Ω characteristic depending on PCB material and thickness.



P.O. Box 350166, Brooklyn, New York 11235-0003 (718) 934-4500 Fax (718) 332-4661 For detailed performance specs & shopping online see Mini-Circuits web site



The Design Engineers Search Engine Provides ACTUAL Data Instantly From MINI-CIRCUITS At: www.minicircuits.com

RF/IF MICROWAVE COMPONENTS