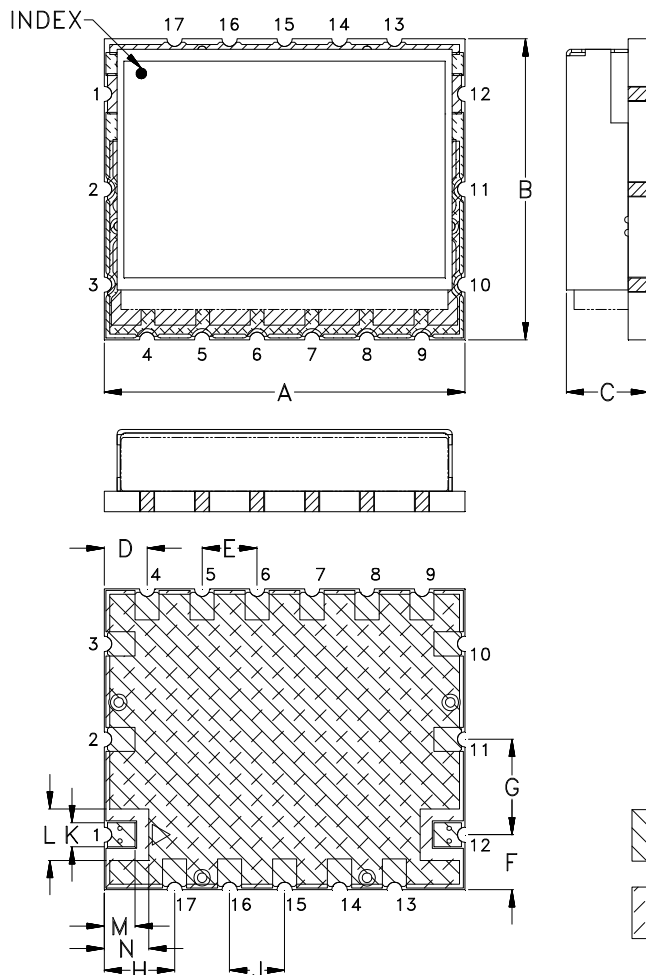
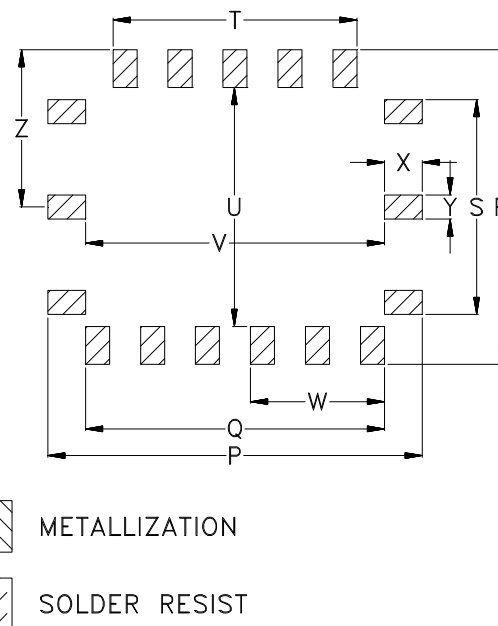


Outline Dimensions



SUGGESTED PCB LAND PATTERN



CASE#	A	B	C	D	E	F	G	H	J	K	L	M	N
KV1710	1.050 (26.67)	.875 (22.23)	.239 (6.07)	.125 (3.18)	.160 (4.06)	.160 (4.06)	.278 (7.06)	.205 (5.21)	.160 (4.06)	.070 (1.78)	.150 (3.81)	.090 (2.29)	.130 (3.30)

CASE#	P	Q	R	S	T	U	V	W	X	Y	Z	WT, GRAMS
KV1710	1.090 (27.69)	.870 (22.10)	.915 (23.24)	.625 (15.88)	.710 (18.03)	.695 (17.65)	.870 (22.10)	.390 (9.91)	.110 (2.79)	.070 (1.78)	.458 (11.63)	8.5

Dimensions are in inches (mm). Tolerances: 2PL. ± .03; 3PL. ± .015

Notes:

1. Case material: Nickel-Silver alloy.
2. Base: Printed wiring laminate.
3. Termination finish:

For RoHS Case Styles: 2-5 μ inch (.05-.13 microns) Gold over 120-240 μ inch (3.05-6.10 microns) Nickel plate.
All models, (+) suffix.



P.O. Box 350166, Brooklyn, New York 11235-0003 (718) 934-4500 Fax (718) 332-4661 For detailed performance specs & shopping online see Mini-Circuits web site



The Design Engineers Search Engine Provides ACTUAL Data Instantly From MINI-CIRCUITS At: www.minicircuits.com

RF/IF MICROWAVE COMPONENTS