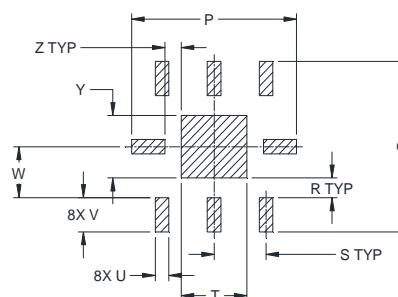
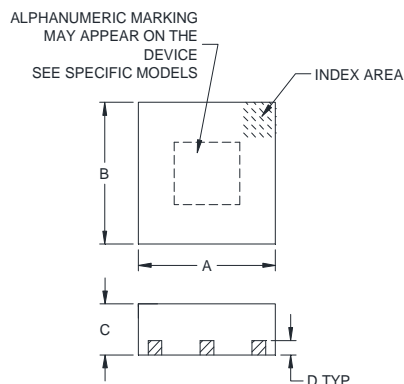


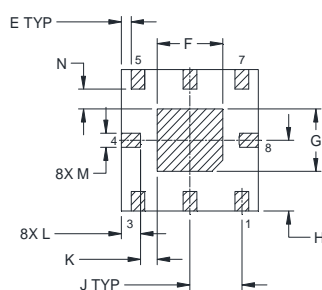
Outline Dimensions

JV3002



**SUGGESTED LAYOUT
FOR PCB LAND PATTERN**
PATTERN TO BE WITHIN ± 0.02

METALLIZATION



BOTTOM VIEW

CASE #	A	B	C	D	E	F	G	H	J	K	L	M
JV3002	.098 (2.50)	.098 (2.50)	.035 (.90)	.010 (.25)	.007 (.18)	.047 (1.20)	.043 (1.10)	.049 (1.25)	.037 (.95)	.012 (.30)	.014 (.35)	.010 (.25)

CASE #	N	P	Q	R	S	T	U	V	W	Y	Z	WEIGHT (GRAMS)
JV3002	.014 (.35)	.118 (3.01)	.118 (3.01)	.014 (.35)	.037 (.95)	.047 (1.20)	.010 (.25)	.024 (.60)	.035 (.90)	.043 (1.10)	.012 (.30)	0.016

Dimensions are in inches (mm). Tolerances: 3 Pl. ± 0.002 [.050]

Notes:

1. Open style, Plastic.
2. Termination finish: **as shown below or indicated on Data Sheet.**
For RoHS Case Styles: Matte-Tin plate.
3. Pad tolerance is non-cumulative. Minimum spacing between each pad is .004.
4. Pin numbers do not appear on unit. For reference only.



P.O. Box 350166, Brooklyn, New York 11235-0003 (718) 934-4500 Fax (718) 332-4661 For detailed performance specs & shopping online see Mini-Circuits web site



The Design Engineers Search Engine Provides ACTUAL Data Instantly From MINI-CIRCUITS At: www.minicircuits.com

RF/IF MICROWAVE COMPONENTS