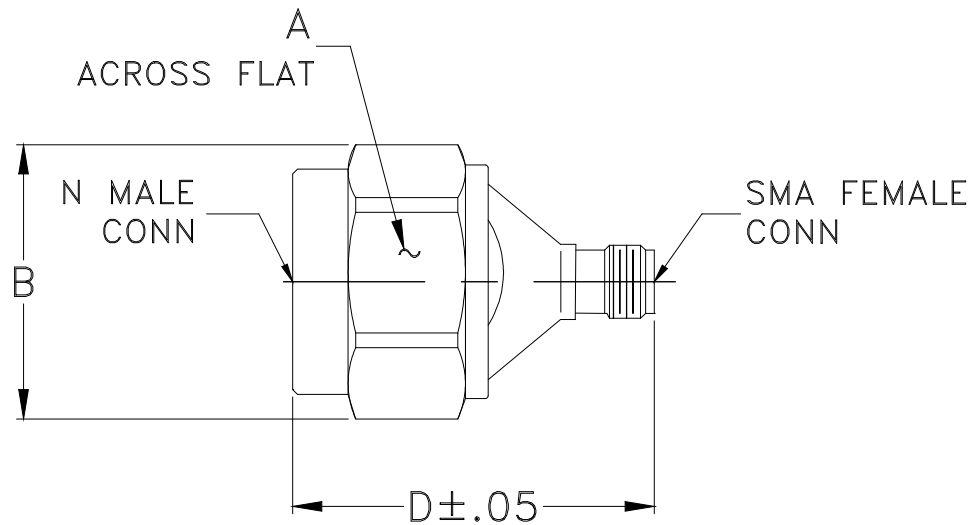


Outline Dimensions



CASE#	A	B	C	D	E	WT. GRAM
DJ825	.787 (20.00)	.866 (22.00)	-- --	1.24 (31.50)	-- --	33.6

Dimensions are in inches (mm). Tolerances: 2 Pl. ± .03; 3 Pl. ± .015

Note:

1. Case Material: Stainless steel.
2. Finish: Passivation.