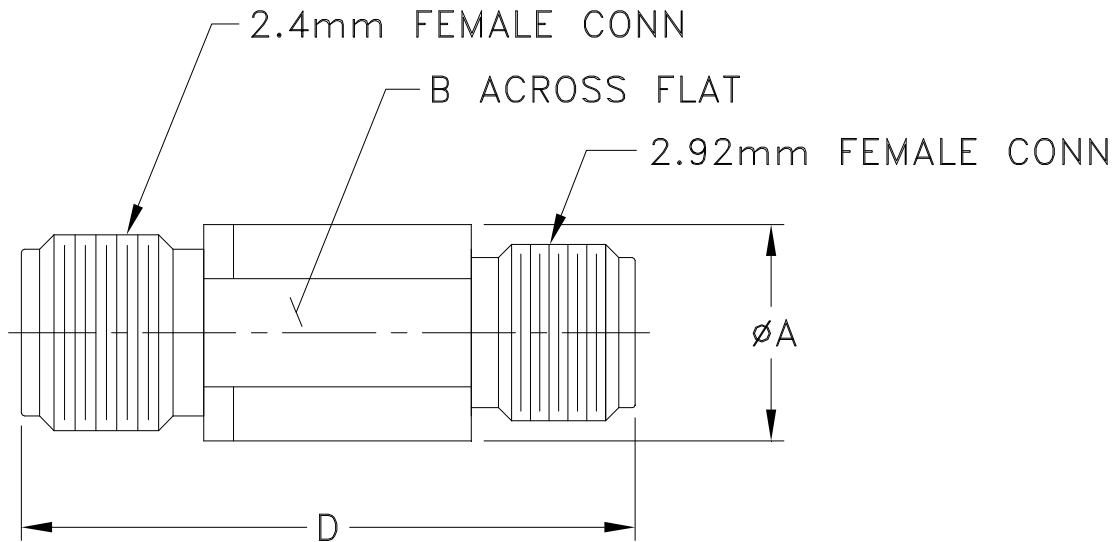


Outline Dimensions



CASE #	A	B	C	D	E	WT. GRAM
DJ2381	.28 (7.00)	.236 (5.99)	-- --	.80 (20.32)	-- --	3.0

Dimensions are in inches (mm). Tolerances: 2 Pl. $\pm .03$; 3Pl. + .015

Note:

1. Case material: Stainless Steel.
2. Finish: Passivation.