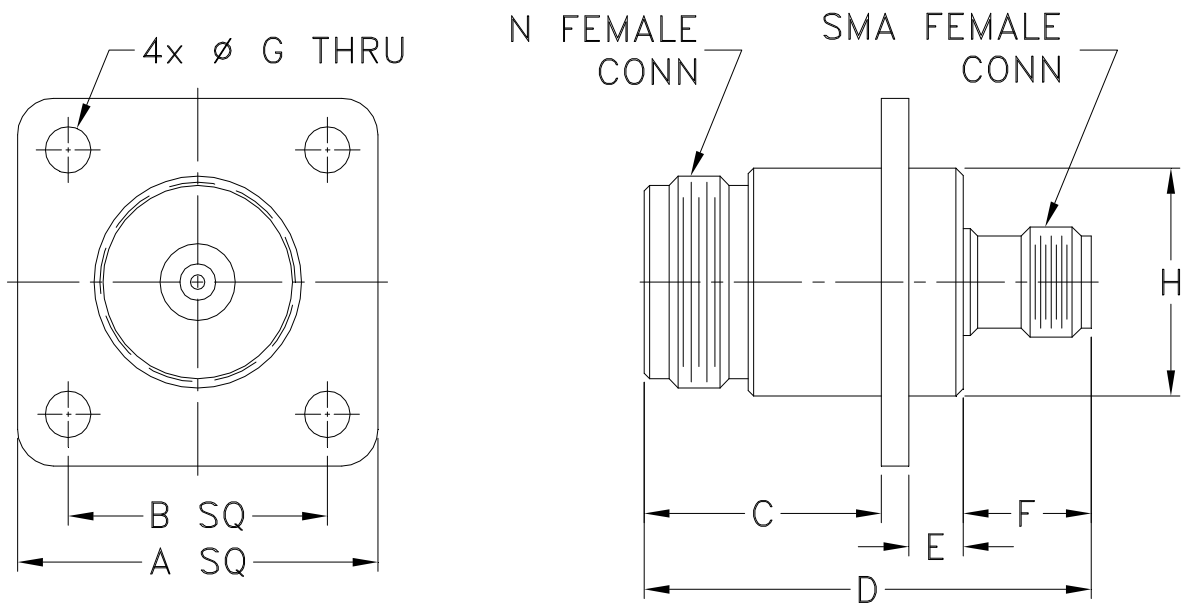


Outline Dimensions



CASE #	A	B	C	D	E	F	G	H	WT. GRAM
DJ1808	1.00 (25.4)	.718 (18.24)	.657 (16.7)	1.240 (31.5)	.157 (4.0)	.350 (8.9)	.126 (3.2)	.620 (15.75)	36.0

Dimensions are in inches (mm). Tolerances: 2 Pl. ± .03; 3Pl. + .015

Notes:

1. Case material: Brass.
2. Finish: Nickel plate.