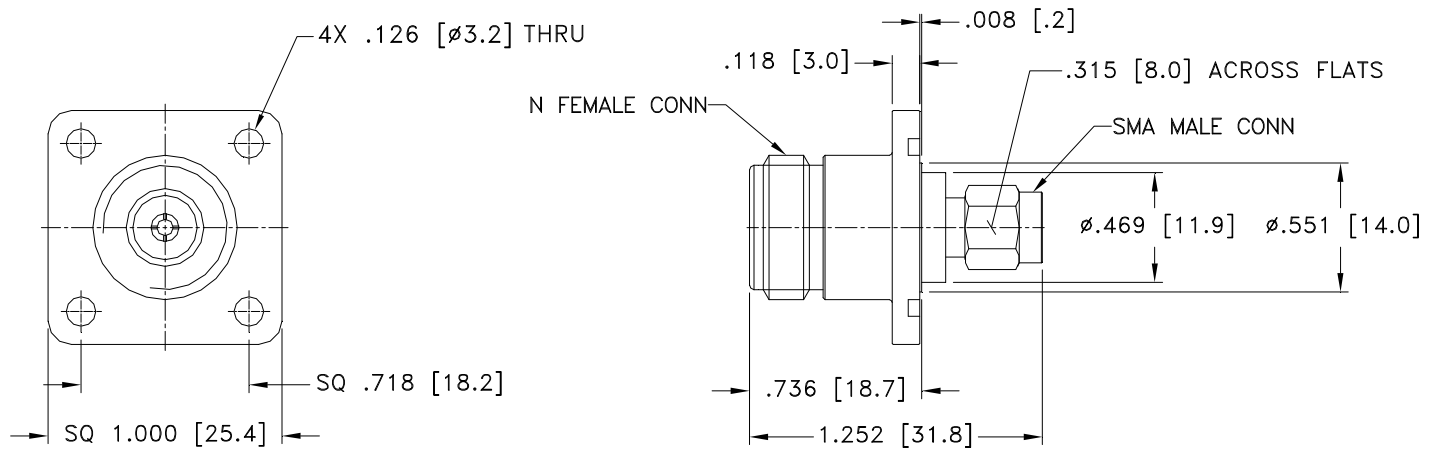


Outline Dimensions



Weight: 36 grams

Dimensions are in inches (mm). Tolerances: 2 Pl. \pm .03; 3Pl. + .015

Notes:

1. Case material: Brass.
2. Finish: Tri Metal plate.



P.O. Box 350166, Brooklyn, New York 11235-0003 (718) 934-4500 Fax (718) 332-4661 For detailed performance specs & shopping online see Mini-Circuits web site



The Design Engineers Search Engine Provides ACTUAL Data Instantly From MINI-CIRCUITS At: www.minicircuits.com

RF/IF MICROWAVE COMPONENTS