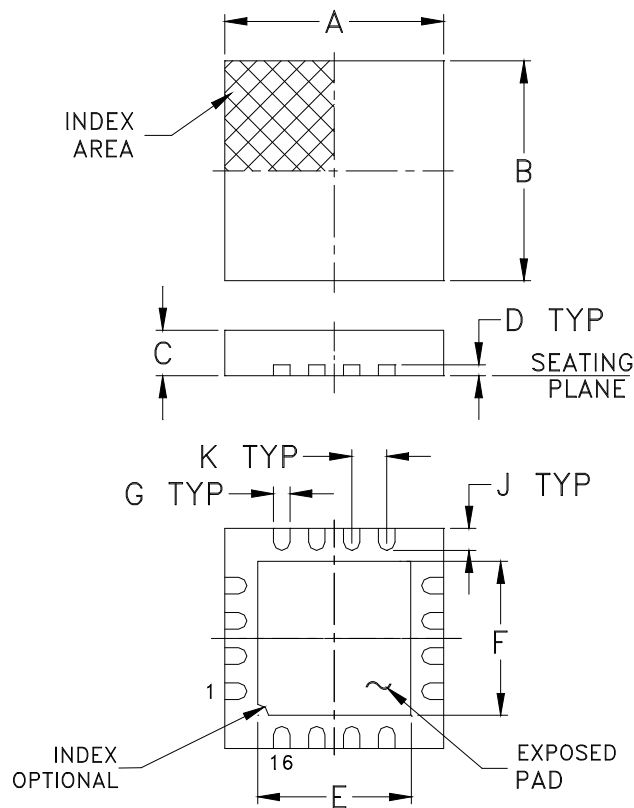
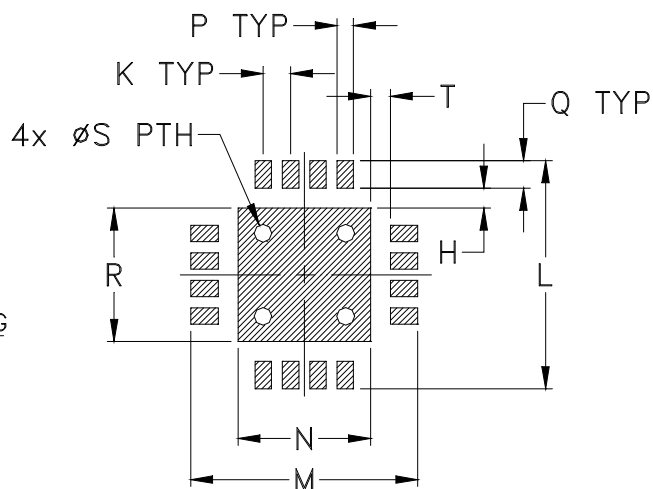


## Outline Dimensions



## PCB Land Pattern



Suggested Layout,  
Tolerance to be within  $\pm .002$

CASE #	A	B	C	D	E	F	G	H	J	K
DG1235-1	.157 (4.00)	.157 (4.00)	.035 (0.90)	.008 (0.20)	.106 (2.70)	.106 (2.70)	.012 (0.30)	.019 (0.48)	.016 (0.40)	.026 (0.65)

CASE #	L	M	N	P	Q	R	S	T	WT. GRAM
DG1235-1	.185 (4.70)	.185 (4.70)	.085 (2.16)	.014 (0.36)	.031 (0.79)	.085 (2.16)	.013 (0.33)	.019 (0.48)	.04

Dimensions are in inches (mm). Tolerances: 2 Pl.  $\pm .01$ ; 3 Pl.  $\pm .005$

### Notes:

- Case material: Plastic.
- Termination finish:  
For RoHS Case Styles: NiPdAu. All models, (+) suffix.  
For RoHS-5 Case Styles: Tin-Lead plate. All models, no (+) suffix.