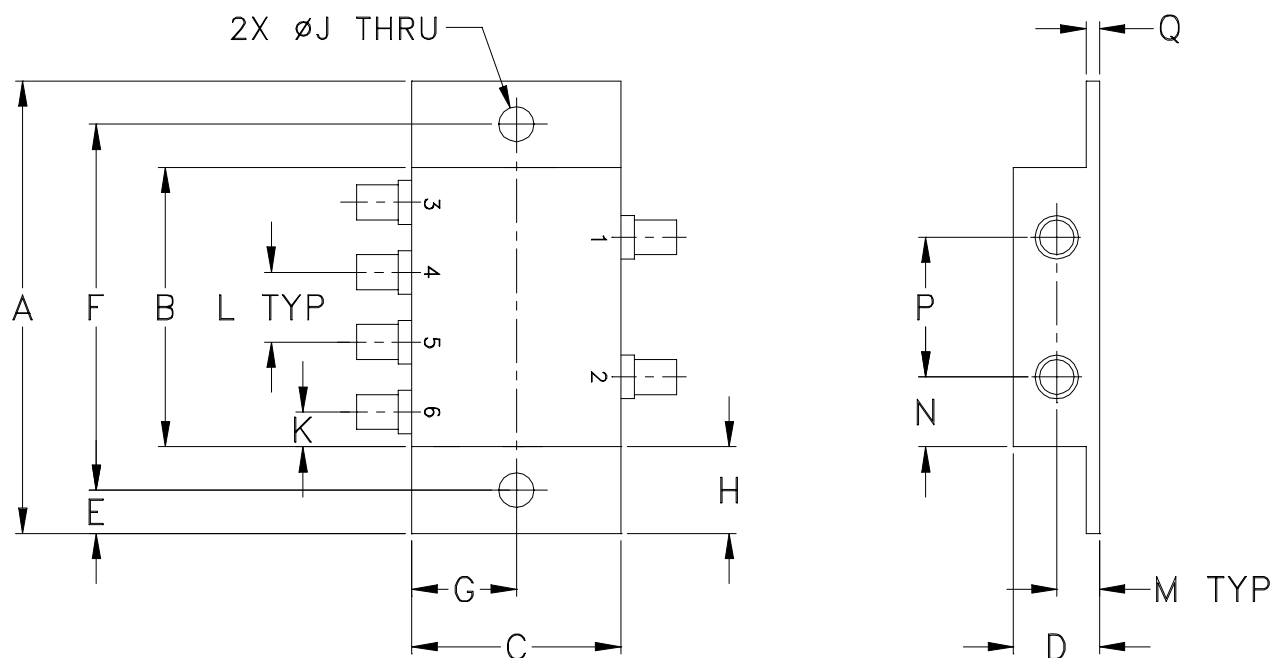


### Outline Dimensions



CASE#	A	B	C	D	E	F	G	H	J	K	L	M	N
CY353	3.24 (82.30)	2.00 (50.80)	1.50 (38.10)	.62 (15.75)	.31 (7.87)	2.620 (66.55)	.75 (19.05)	.62 (15.75)	.250 (6.35)	.25 (6.35)	.50 (12.70)	.31 (7.87)	.50 (12.70)

CASE#	P	Q	WT. GRAMS
CY353	1.00 (25.40)	.13 (3.30)	65.0

Dimensions are in inches (mm). Tolerances: 2 Pl.  $\pm .03$ ; 3 Pl.  $\pm .015$

#### Notes:

- Case material: Aluminum alloy.
- Case finish and mounting bracket finish:  
For RoHS Case Styles: Clear chemical conversion coating, non-chrome or trivalent chrome based.