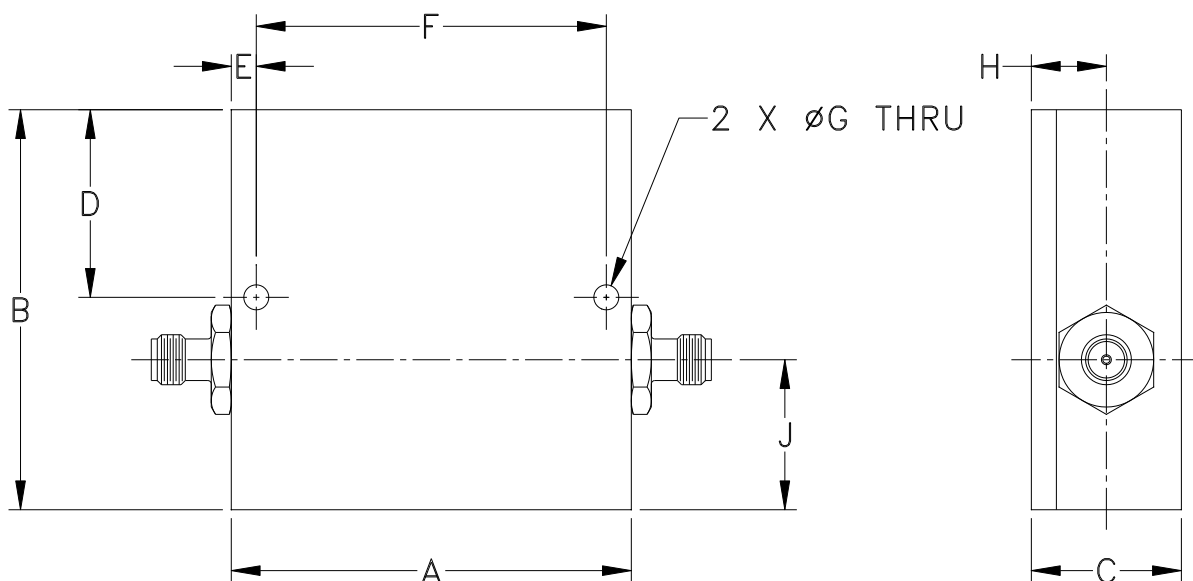


Outline Dimensions

CC1764



CASE#	A	B	C	D	E	F	G	H	J	WT. GRAMS
CC1764	2.000 (50.80)	2.000 (50.80)	0.750 (19.05)	0.938 (23.83)	0.125 (3.18)	1.750 (44.45)	0.125 (3.18)	0.375 (9.53)	0.750 (19.05)	116

Dimensions are in inches (mm). Tolerances: 2 Pl. $\pm .03$; 3 Pl. $\pm .015$

Notes:

1. Case material: Aluminum alloy.
2. Case finish:
For RoHS Case Styles: Clear chemical conversion coating, non-chrome or trivalent chrome based.
3. Refer to the individual model data sheet for the type of connectors available.



P.O. Box 350166, Brooklyn, New York 11235-0003 (718) 934-4500 Fax (718) 332-4661 For detailed performance specs & shopping online see Mini-Circuits web site



The Design Engineers Search Engine Provides ACTUAL Data Instantly From MINI-CIRCUITS At: www.minicircuits.com

RF/IF MICROWAVE COMPONENTS