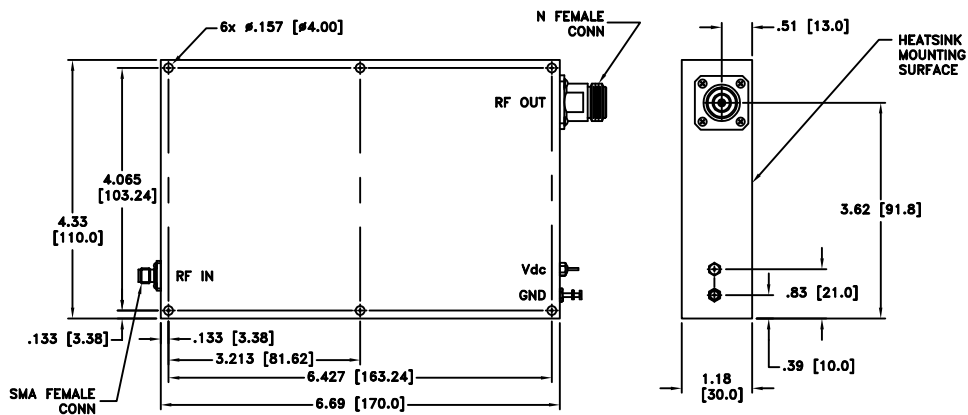


MOUNTING INFORMATION FOR MODELS WITHOUT HEATSINK



Weight: 4525 grams; Weight without heatsink: 840 grams

Dimensions are in inches [mm]. Tolerances: 2 Pl. ± 0.03 [.76]; 3 Pl. ± 0.015 [.38]

Notes:

1. Case material: Aluminum alloy.
2. Finish: For RoHS Case Styles: Clear Chemical conversion coating, non-chrome or trivalent chrome based.
3. Heatsink finish: Black anodize.
4. Refer to the individual model data sheet for the type of connectors available.
5. Recommended screws for mounting model without heat sink on 3/32" thick sheet: #6-32, 1.50" Length.
6. Shape of connector flange may vary.



P.O. Box 350166, Brooklyn, New York 11235-0003 (718) 934-4500 Fax (718) 332-4661 For detailed performance specs & shopping online see Mini-Circuits web site



The Design Engineers Search Engine Provides ACTUAL Data Instantly From MINI-CIRCUITS At: www.minicircuits.com

RF/IF MICROWAVE COMPONENTS